

Product Description:

Carmanhaas Fiber cutting optical components are used in various types of fiber laser cutting head, transmitting and focusing the beam output from the fiber to achieve the purpose of cutting the sheet.

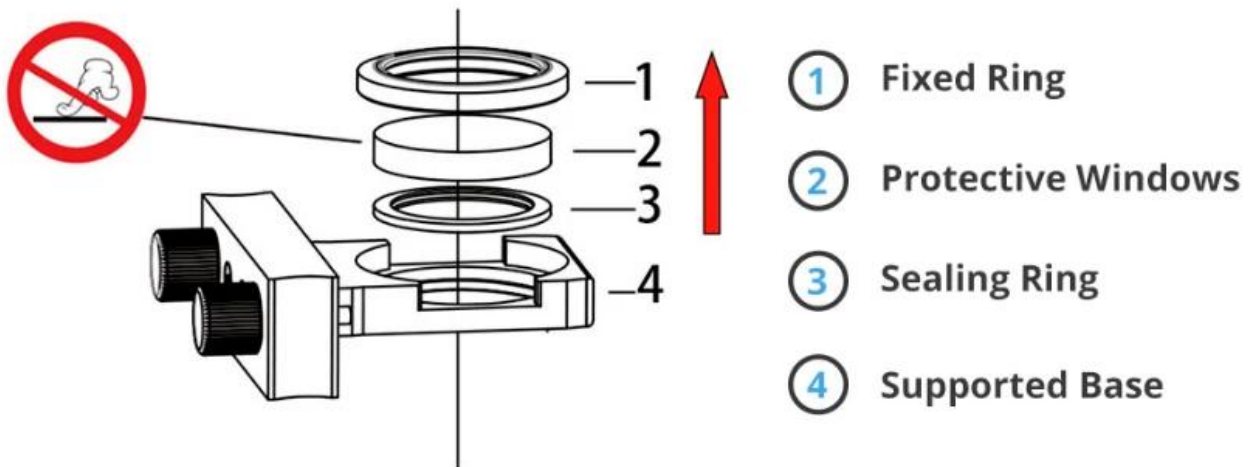


Protective Window

Diameter (mm)	Thickness (mm)	Coating
21.5	2	AR/AR@1030-1090nm
24.9	1.5	AR/AR@1030-1090nm
32	2	AR/AR@1030-1090nm
38.1	1.5	AR/AR@1030-1090nm
22.35	4	AR/AR@1030-1090nm
25.4	4	AR/AR@1030-1090nm
27.9	4	AR/AR@1030-1090nm
30	5	AR/AR@1030-1090nm
32	5	AR/AR@1030-1090nm
37	7	AR/AR@1030-1090nm
38.1	6.35	AR/AR@1030-1090nm

P/N	Substrate	Dia. (mm)	ET (mm)	Coating
W-9.5-1.5	K9/Fused Silica	9.5	1.5	AR/AR@1064nm
W-12.7-2	K9/Fused Silica	12.7	2	AR/AR@1064nm
W-20-3	K9/Fused Silica	20	3/5	AR/AR@1064nm
W-22.35-4	K9/Fused Silica	22.35	4	AR/AR@1064nm
W-30-5	K9/Fused Silica	30	5	AR/AR@1064nm
W-34-3	K9/Fused Silica	34	3	AR/AR@1064nm
W-37-2	K9/Fused Silica	37	2/7	AR/AR@1064nm
W-50-10	K9/Fused Silica	50	10	AR/AR@1064nm
★The above lists are our standard parts and we can also make the customized parts for you.				

Installation Diagram



NOTICE: 1—3 Parts Should be taken out in the direction of the arrow, otherwise these parts will be damaged.

Packaging & Shipping

Packaging 1



Packaging 2

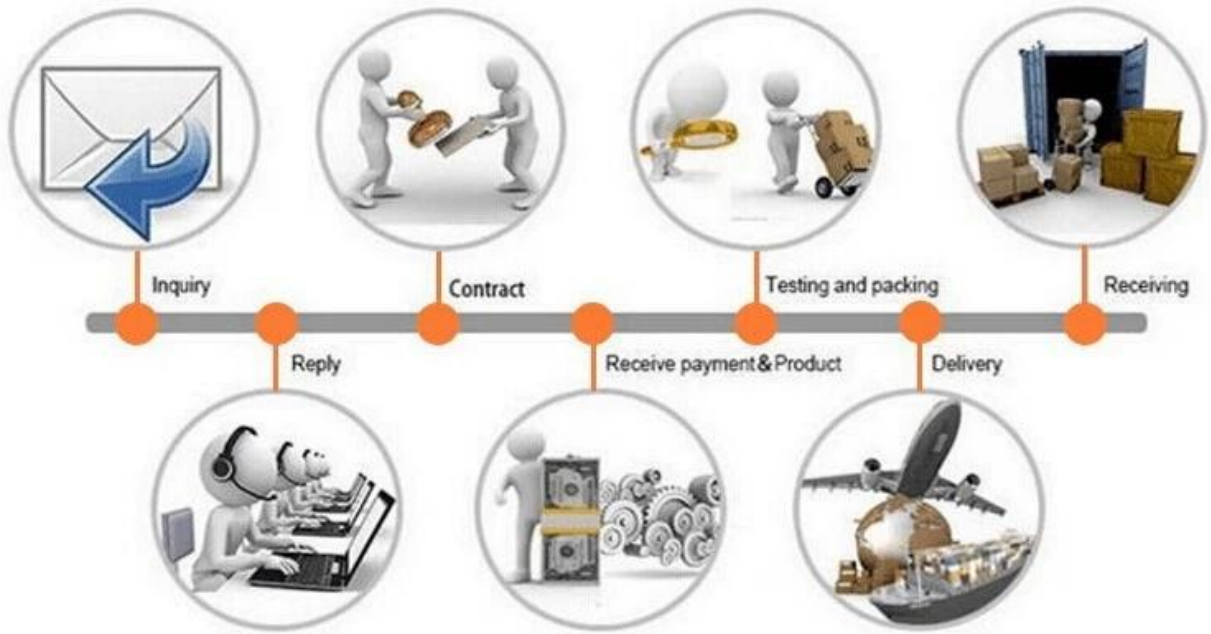


Packaging 3



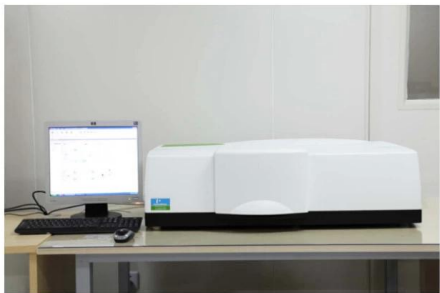
Shipping 4







TRIOPTICS OptiSpheric 2000 AF
---Testing EFL, R, Centering Error, Wedge Angle, BFL, MTF



PerkinElmer Lambda 950---Testing Transmission and Reflectivity



Carmanhaas Coating Machine

