

**Product Description:**

Carmanhaas has high end 2D laser scanning galvanometer, 3D laser scanning galvanometer, high power laser welding galvanometer, beauty galvanometer and laser cleaning solution.

Carmanhaas 2-axis Galvanometer Scanner Head including High Speed (A Series) and Standard Series, are designed for a board range of application including laser precision marking, laser cutting, laser welding, rapid prototyping, 3D printing, drilling location, laser cleaning, medical beauty and so on.

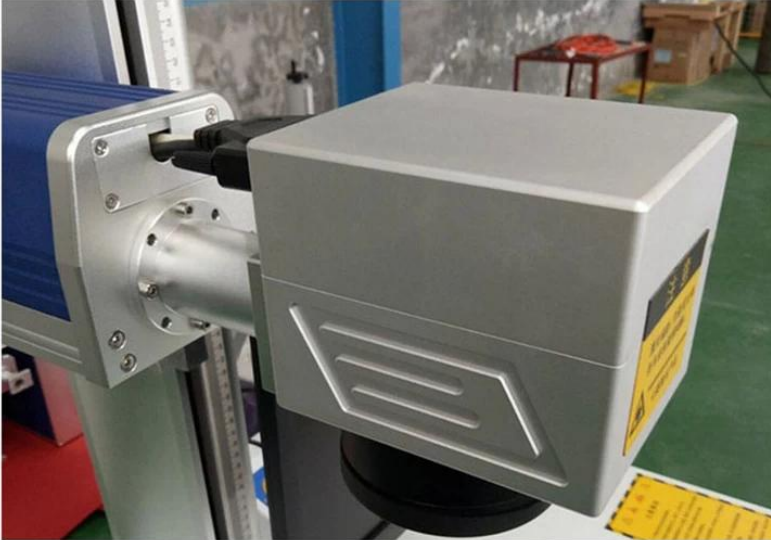
**Features:**

1. Aperture: 7mm, 10mm, 12mm, 14mm, 16mm, 20mm, 30mm□
2. Good degree of Linearity, high resolution small drift, precise repetitive positioning□
3. Highest processing speeds in the industry to maximize production throughput□
4. High-accuracy & high-stability models available for precise scanning applications□
5. Wide range of cost-efficient, high-performance options for specific applications.

# PRODUCT DETAILS

HIGH SPEED  
GALVO LENS

SMALL SIZE, FRIENDLY INTERFACE  
IN ORDER TO IMPROVE THE QUALITY OF EXPORT,  
USE NEW TECHNOLOGY, NEW CRAFT, IN THE GALVO  
LENS SCANNING SYSTEM, GRAPHIC IS GOOD, NO DISTORION ETC...



## 1064nm Galvo Scanner Head with Power Supply & DB25 cable



## Optional Aperture:

 12mm Aperture



 14mm Aperture



 16mm Aperture

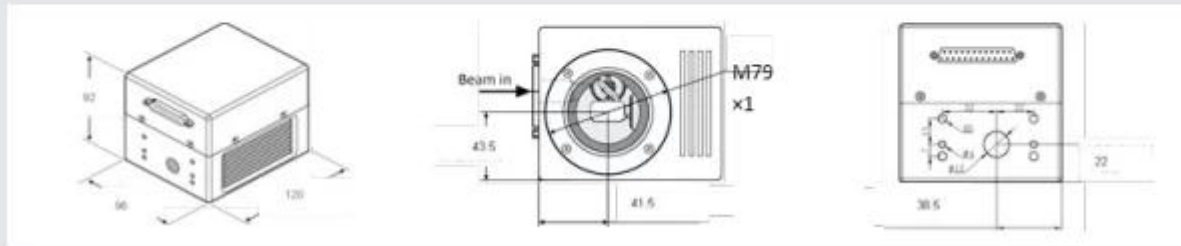


## Technical Parameters:

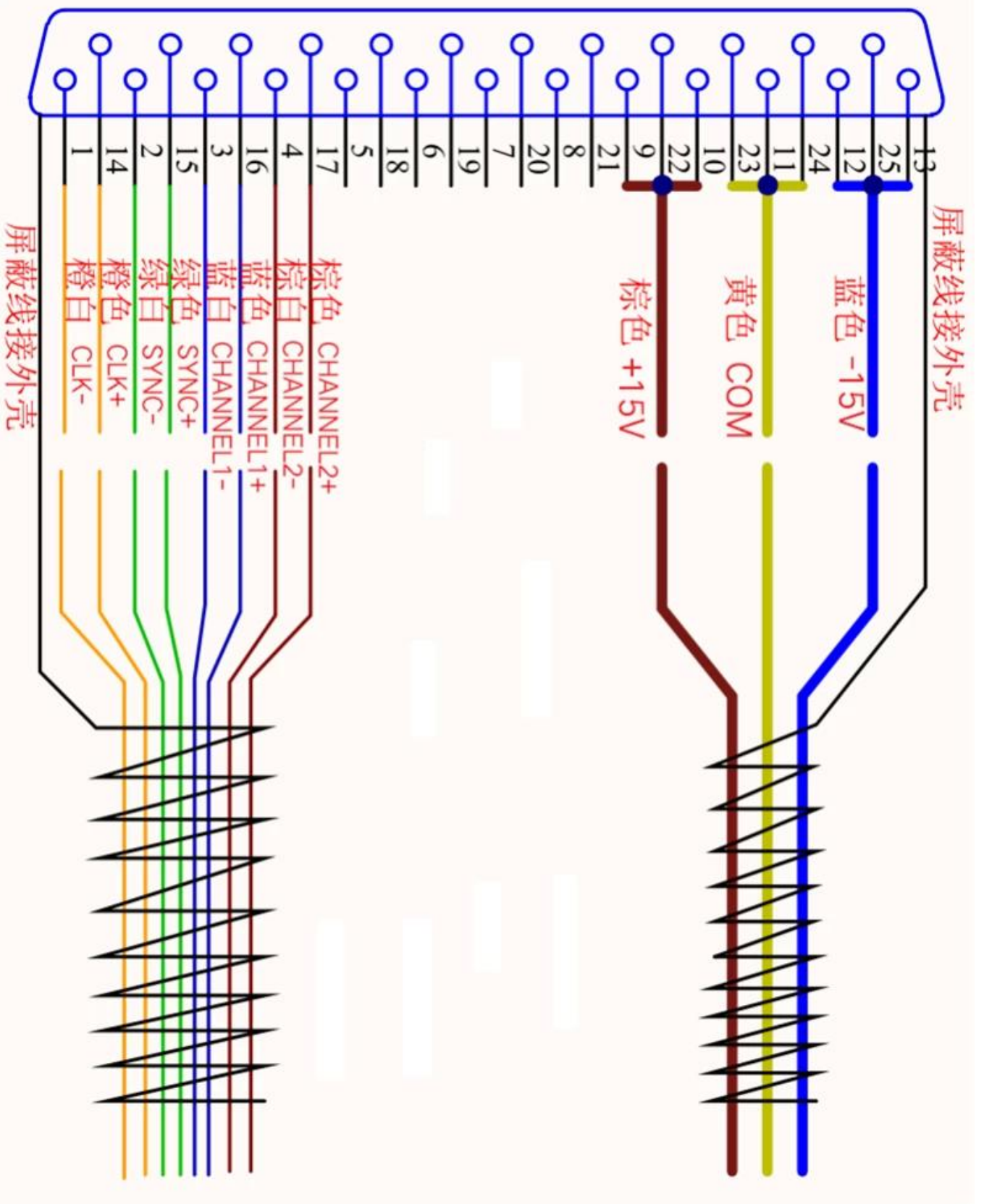
### Technical Specifications

	E10	E12	H10	H12	E16
Aperture Size	10mm	12mm	10mm	12mm	16mm
Typical Scan Angle	±20°	±20°	±20°	±20°	±20°
Power Requirements	±15VDC	±15VDC	±15VDC	±15VDC	±15VDC
1% Full Scale	0.36ms	0.4ms	0.28ms	0.32ms	0.48ms
Marking Speed	3.5m/s	3m/s	4.5m/s	4m/s	2.5m/s
Positioning Speed	7m/s	6.5m/s	9m/s	8m/s	5.5m/s
Writing Speed	650cps	600cps	850cps	750cps	500cps
Repeatability	10μrad	10μrad	8μrad	8μrad	10μrad
Gain Drift	80ppm/K	80ppm/K	60ppm/K	60ppm/K	80ppm/K
Offset Drift	50μrad/K	50μrad/K	35μrad/K	35μrad/K	50μrad/K
Long-term Drift	0.3mrad	0.3mrad	0.25mrad	0.25mrad	0.3mrad
Digital Communication	XY2-100				
Mirror Coating	10.6um/1064nm/355nm/405nm/532nm				
Wavelength of scan lens	10.6um / 1064nm / 532nm / 405nm / 355nm				
Marking Area (mm x mm)	50x50, 70x70, 90x90, 110x110, 140x140, 150x150, 175x175, 200x200, 250x250, 280x280, 300x300, 400x400				
Operating Temperature	25°C±10°C				
Weight with F Theta lens	1.5kg	1.7kg	1.6kg	1.8kg	2.5kg
★The above are about standard products, they can also be custom made.					

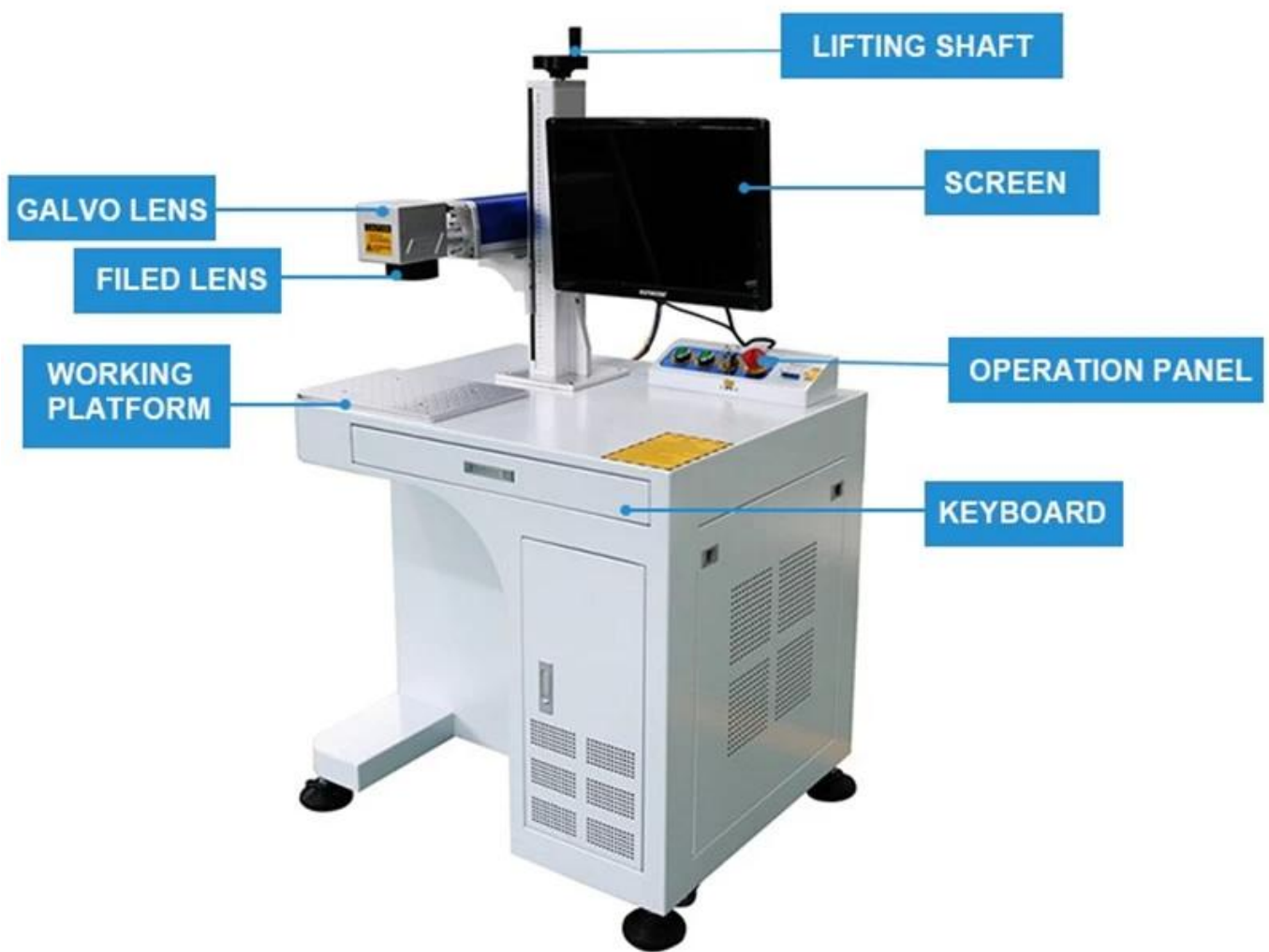
### Drawing for H10



## Electrical interface definition:



**Application:**



**Related Products:**



## 1064nm F Theta Scan Lenses



## Marking Software JCZ EZCard



## Fiber Marking Machine



# Product Packaging



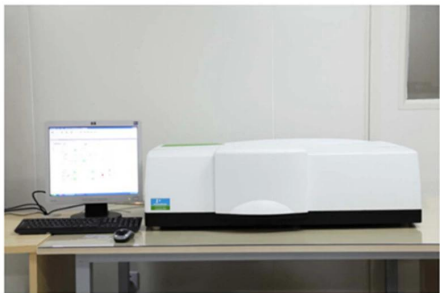


**Company Information:**





**TRIOPTICS OptiSpheric 2000 AF**  
--Testing EFL, R, Centering Error, Wedge Angle, BFL, MTF



PerkinElmer Lambda 950---Testing Transmission and Reflectivity



**Carmanhaas Coating Machine**

Laser Exhibition:

