

QUESTIONNAIRE:

QUESTIONNAIRE galvo (Carmanhaas) 2D 3 D. Carmanhaas (A) .

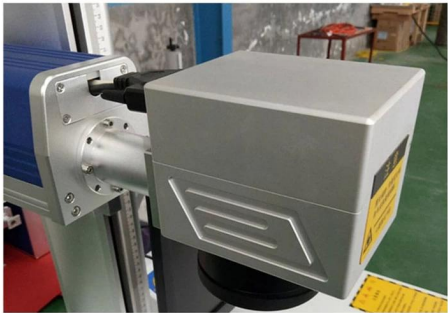
QUESTIONNAIRE:

- 1. 30 20 16 14 12 10 7
- 2.
- 3.
- 4.
- 5.

PRODUCT DETAILS

HIGH SPEED
GALVO LENS

SMALL SIZE, FRIENDLY INTERFACE
IN ORDER TO IMPROVE THE QUALITY OF EXPORT,
USE NEW TECHNOLOGY, NEW CRAFT, IN THE GALVO
LENS SCANNING SYSTEM; GRAPHIC IS GOOD, NO DISTORION ETC...



1064nm Galvo Scanner Head with Power Supply & DB25 cable



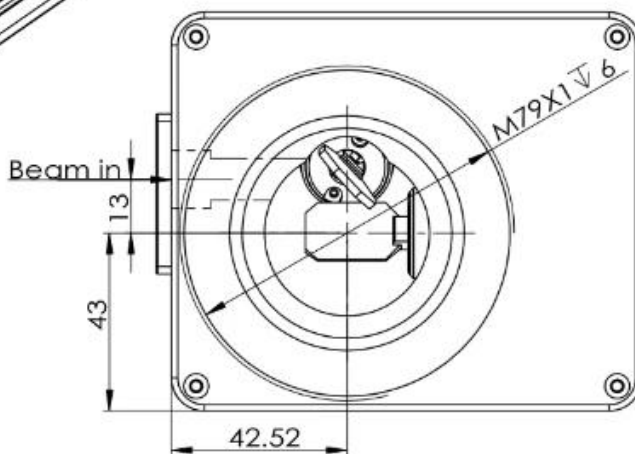
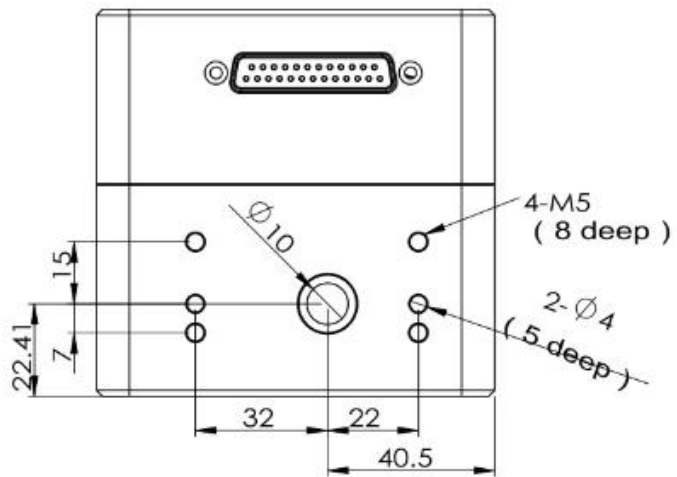
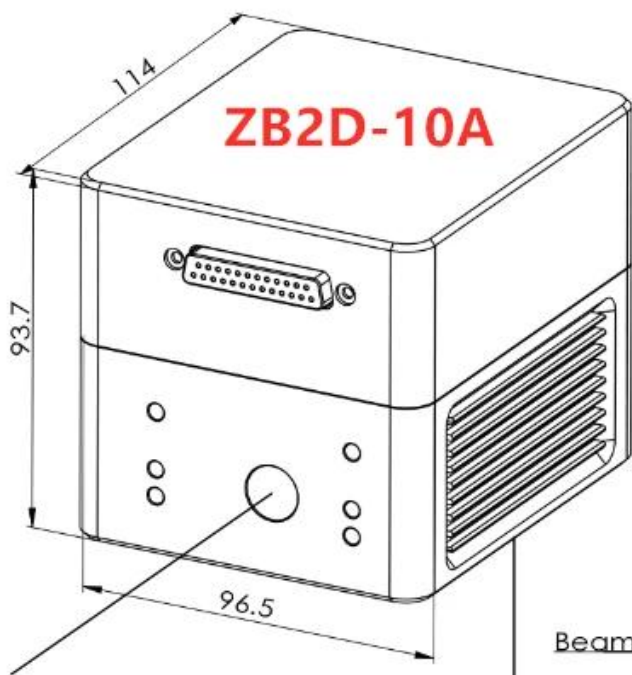
Optional Aperture:

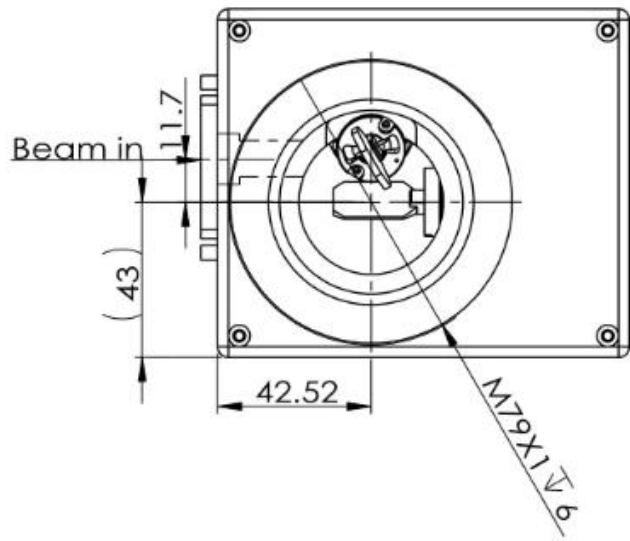
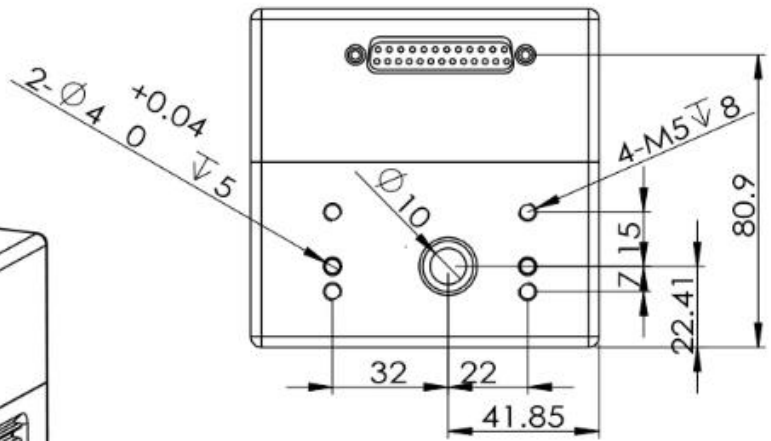
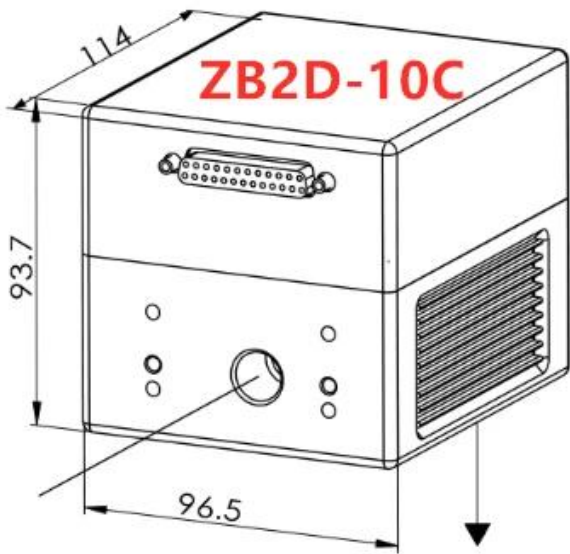


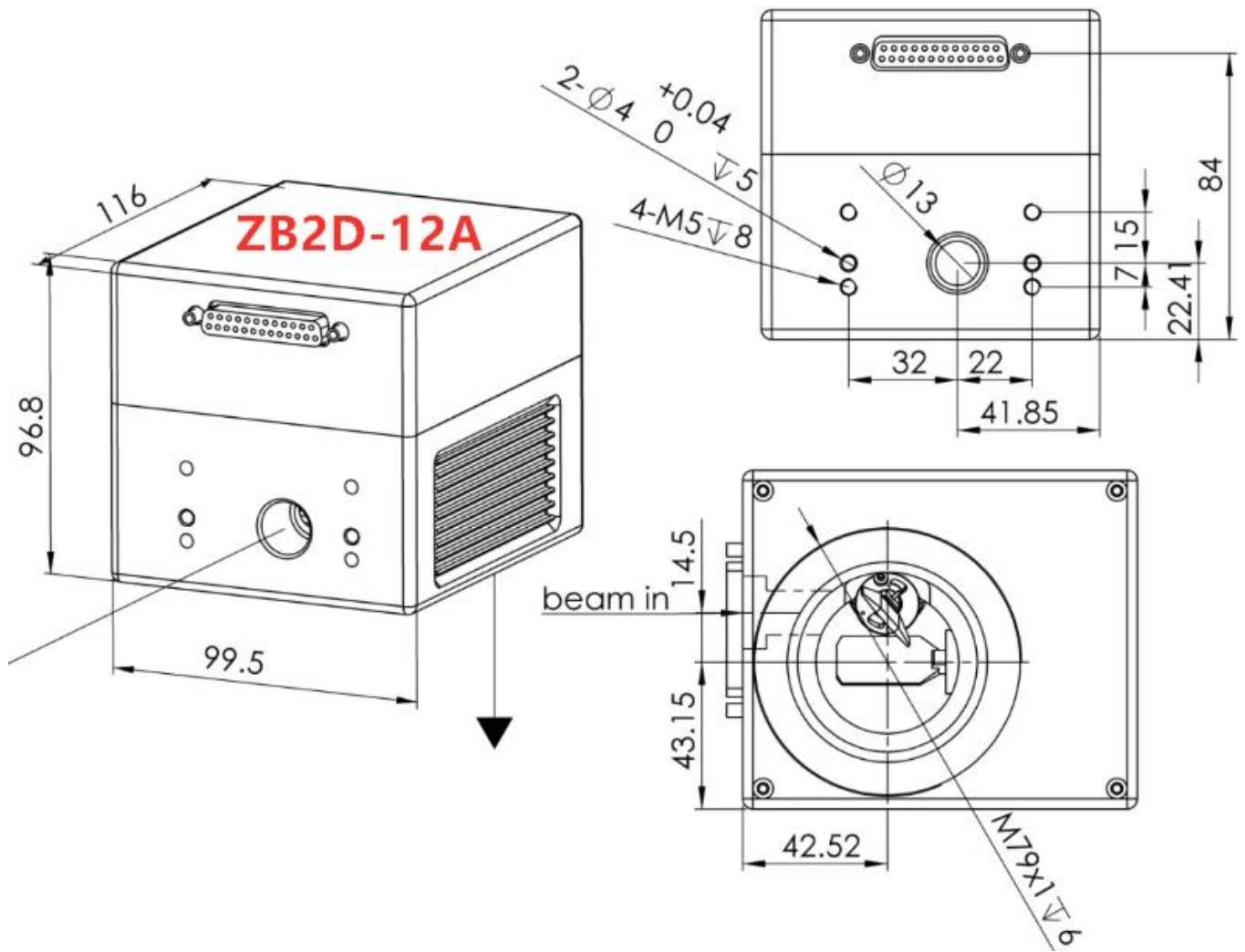
□□□□□ □□□□□□□□:

Model	ZB2D-10A	ZB2D-10C	ZB2D-12A
Aperture (mm)	10	10	12
Typical scan angle	±0.35 rad	±0.35 rad	±0.35 rad
Nonlinearity	<0.5 mrad	<2 mrad	<0.5 mrad
Tracking error	0.15ms	<0.2ms	0.2ms
Step Response Time	<0.3ms	<0.4ms	<0.4ms
Repeatability	<15 urad	<20 urad	<15 urad
Gain drift	<50 ppm/K	<50 ppm/K	<50 ppm/K
Zero drift	<30 urad/K	<30 urad/K	<30 urad/K
Long-term drift over 8hours (After 30 min warm-up)	<0.1 mrad	<0.1 mrad	<0.1 mrad
Marking speed	2.5m/s	2m/s	2m/s
Positioning speed	15m/s	10m/s	10m/s
Power requirements	±15VDC Max.5A	±15VDC Max.3A	±15VDC Max.5A
Digital Signal	XY2-100	XY2-100 or SPI	XY2-100 or SPI
Analog Signal	±5V	±5V or ±10V	±5V
Reflection wavelength	1064nm/532nm/355nm		1064nm
Operating temperature	25°C±10°C	25°C±10°C	25°C±10°C

□□) □□□□□□□□□□ □□□□□□□□):

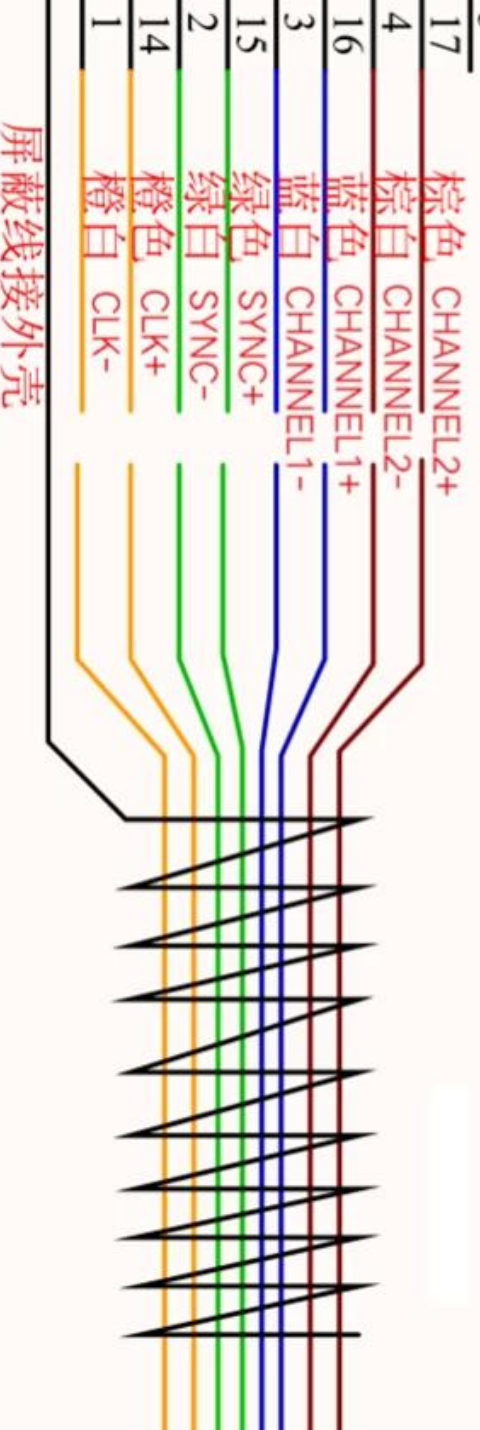
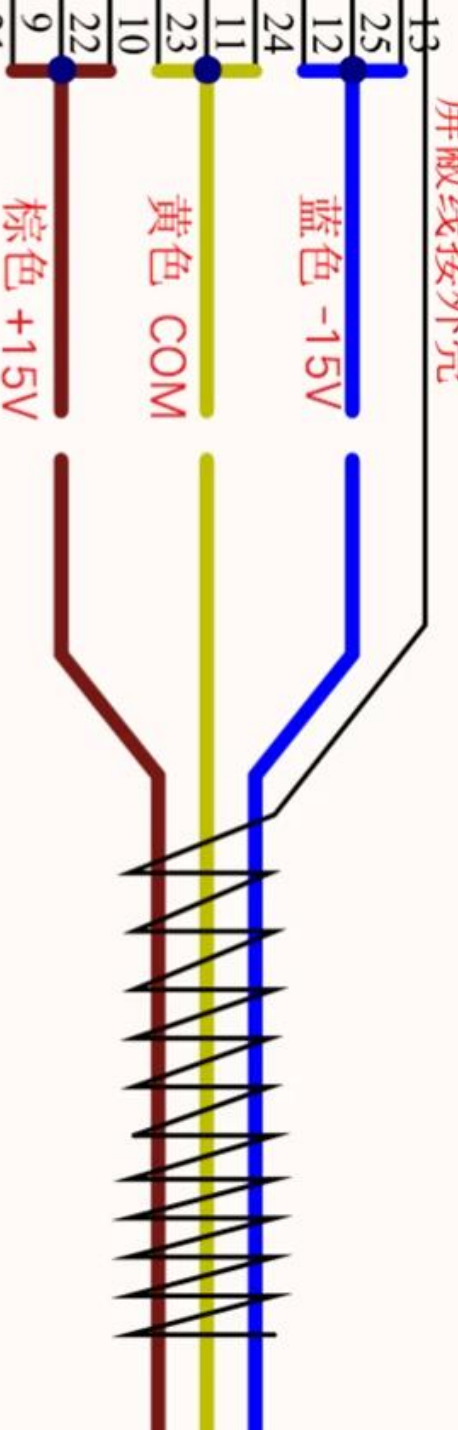




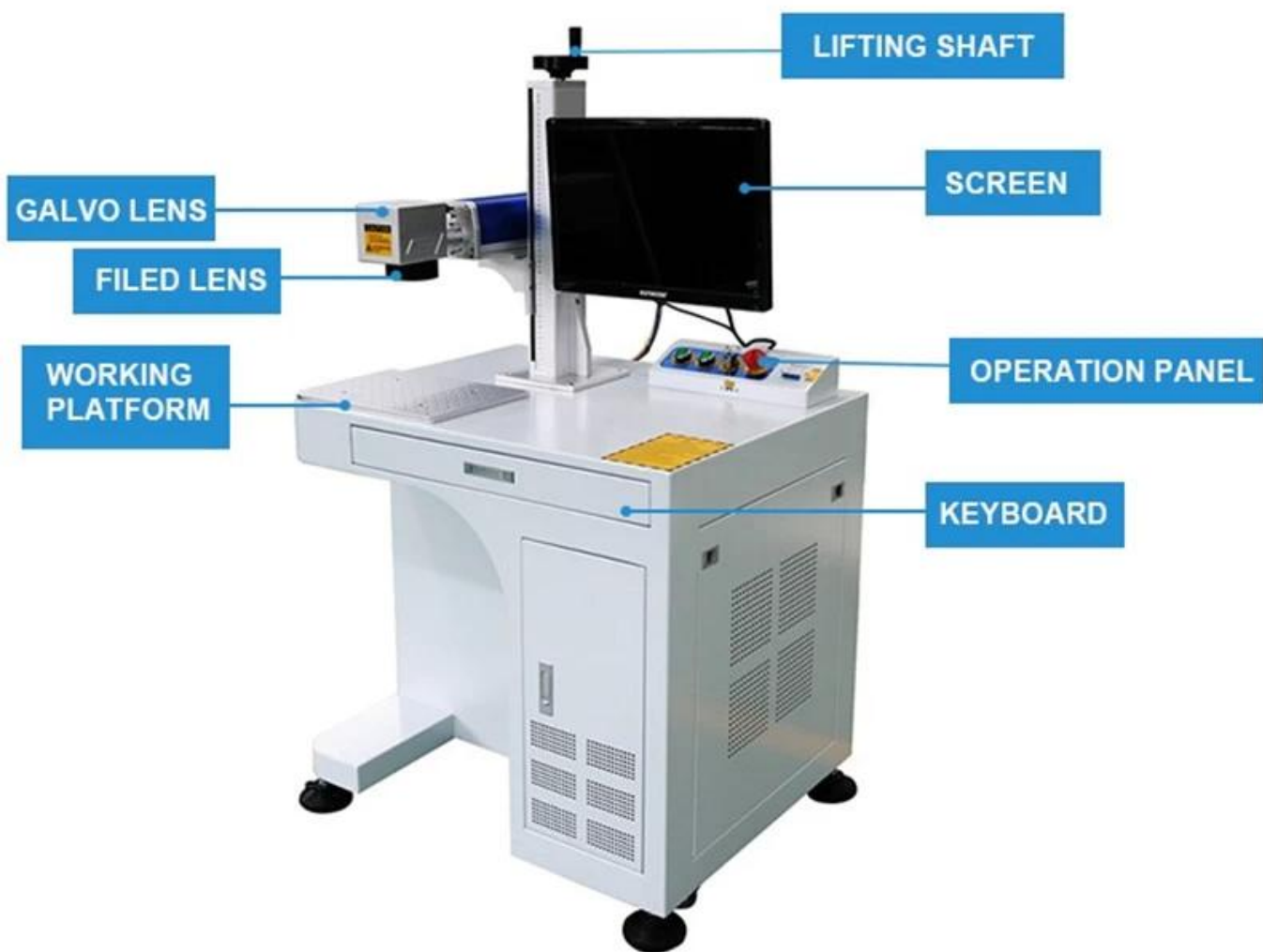


□□□□□□□□□□ □□□□□□ □□□□□□:

屏蔽线接外壳



屏蔽线接外壳





1064nm F Theta Scan Lenses



Marking Software JCZ EZCard

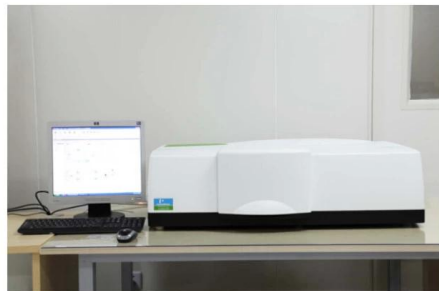


Fiber Marking Machine





TRIOPTICS OptiSpheric 2000 AF
---Testing EFL, R, Centering Error, Wedge Angle, BFL, MTF



PerkinElmer Lambda 950---Testing Transmission and Reflectivity

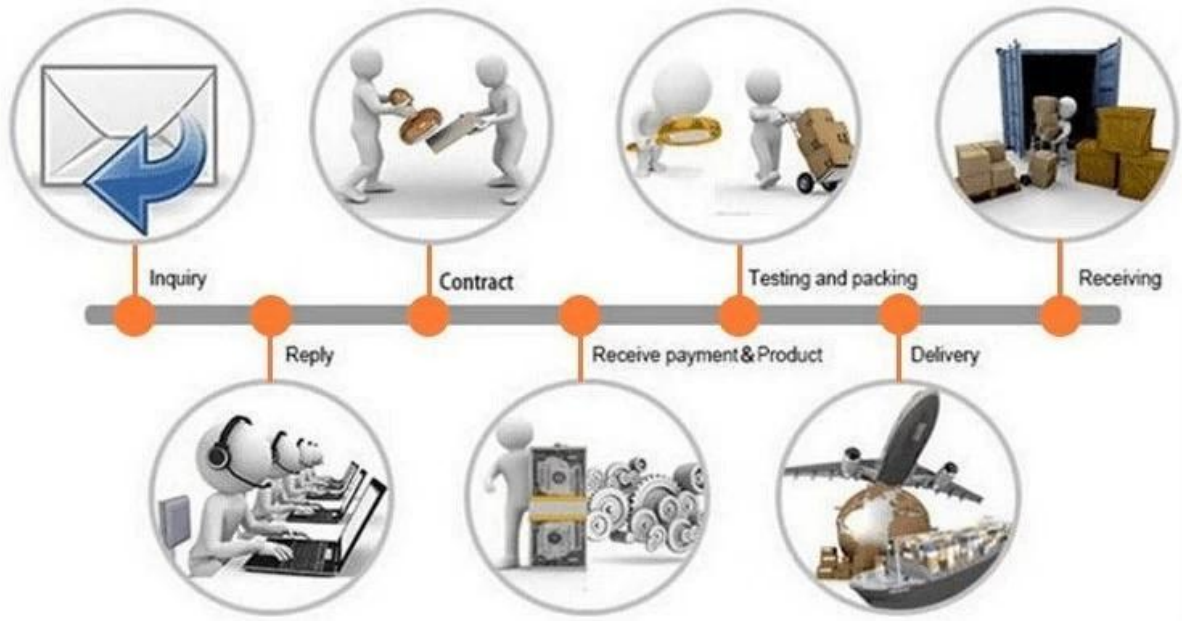


Carmanhaas Coating Machine



Product Packaging





□□□□□□ □□□□:

: 1. 2. 3. 4.

. (1)

. (2)

. (3)

. (4)

QUESTION:

(1) DHL UPS FedEx TNT EMS

(2) EXWork FOB CNF CIF



QUESTION

A1:

Q2.How

:2

.3

A3:

.4

A4:

.5

:5

.6

A6:

.7

A7: OEM / ODMers.

.8

A8: T / T

