

QUESTIONNAIRE:

QUESTIONNAIRE - Carmanhaas 2 (Carmanhaas 2) is a questionnaire designed to assess the impact of the Carmanhaas 2 project on the local community. The questionnaire consists of 3 sections: A) Demographic information, B) Attitudes towards the project, and C) Perceptions of the project's impact. The questionnaire is designed to be completed by the local community members who are affected by the project. The questionnaire is designed to be completed by the local community members who are affected by the project. The questionnaire is designed to be completed by the local community members who are affected by the project.

QUESTIONS:

1. How many people are there in your community? (30, 20, 16, 14, 12, 10, 7)
2. How do you feel about the Carmanhaas 2 project? (Very good, Good, Fair, Poor, Very poor)
3. How do you think the Carmanhaas 2 project will affect your community? (Very good, Good, Fair, Poor, Very poor)
4. How do you think the Carmanhaas 2 project will affect the environment? (Very good, Good, Fair, Poor, Very poor)
5. How do you think the Carmanhaas 2 project will affect the local economy? (Very good, Good, Fair, Poor, Very poor)

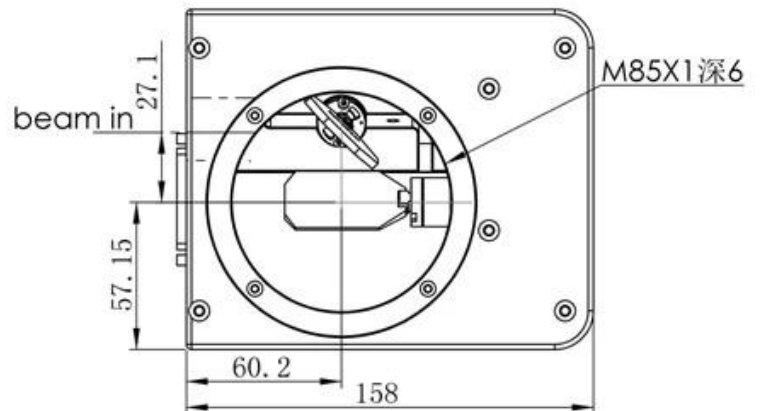
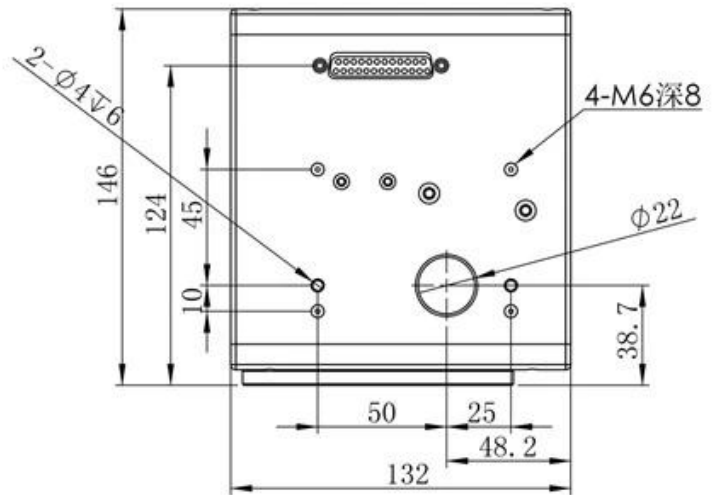
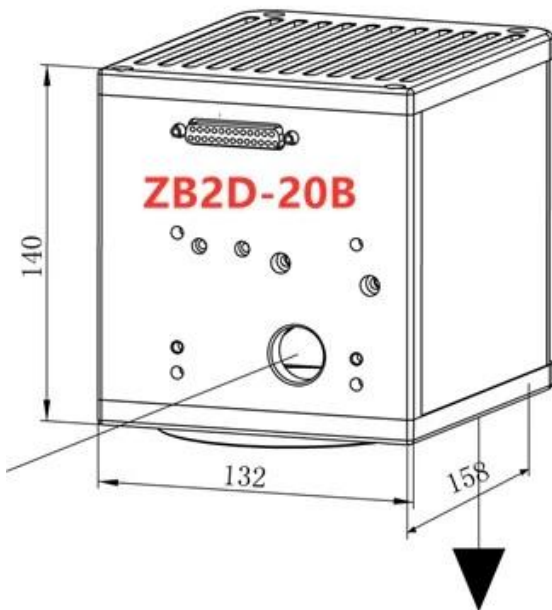
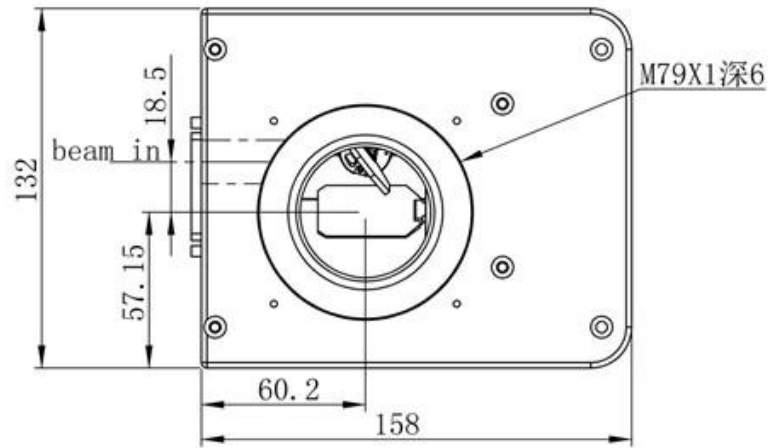
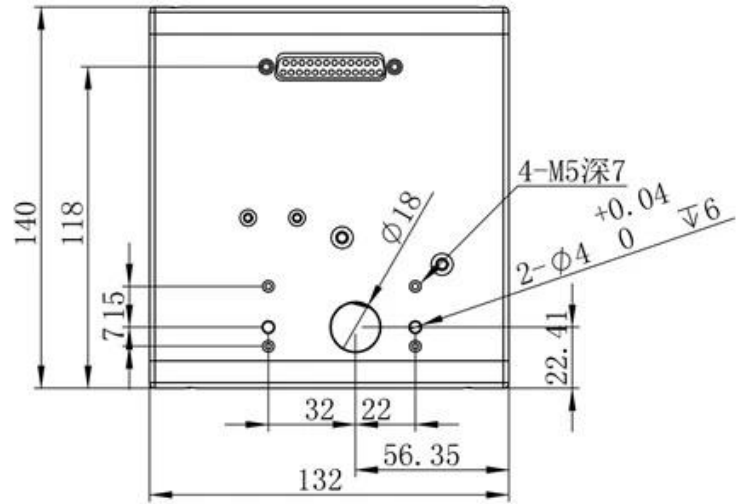
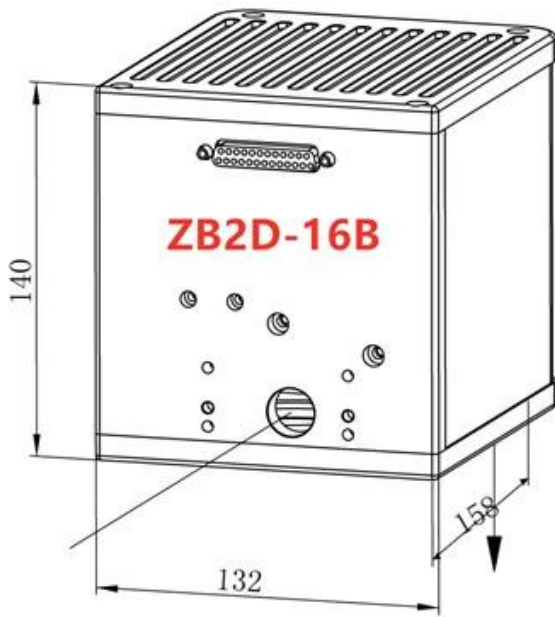
## Product Details

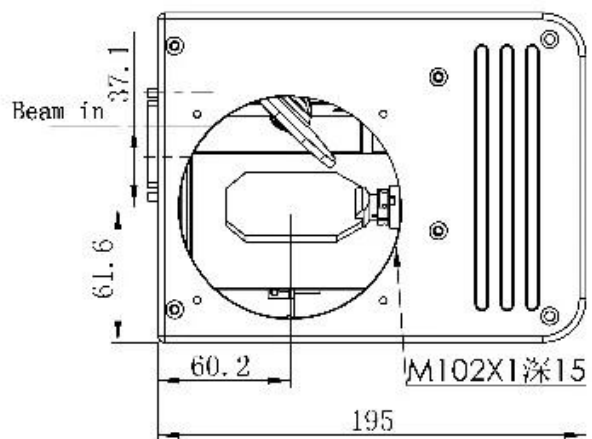
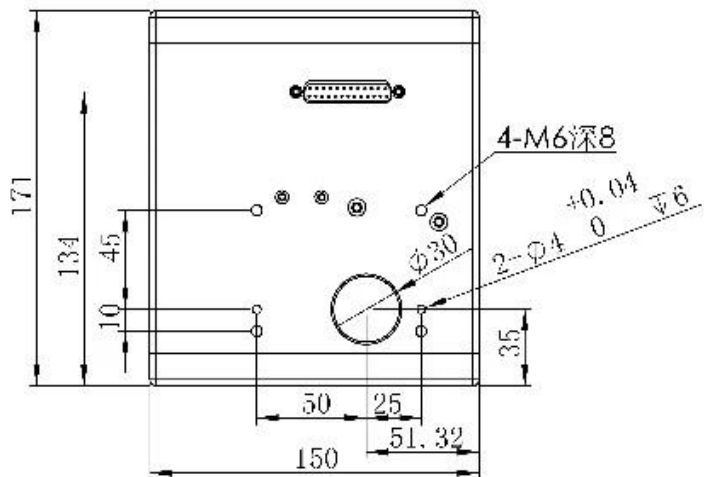
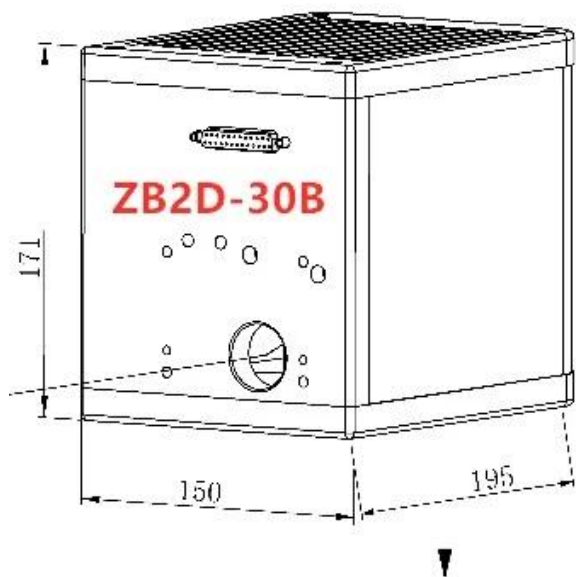


□□□□□ □□□□□□□:

Model	ZB2D-16B	ZB2D-20B	ZB2D-30B
Aperture (mm)	16	20	30
Typical scan angle	±0.35 rad	±0.35 rad	±0.35 rad
Nonlinearity	<0.5 mrad	<0.5 mrad	<0.5 mrad
Tracking error	0.3ms	0.5ms	0.7ms
Step Response Time	<0.65ms	-	-
Repeatability	<15 urad	<15 urad	<15 urad
Gain drift	<50 ppm/K	<30 ppm/K	<30 ppm/K
Zero drift	<30 urad/K	<15 urad/K	<15 urad/K
Long-term drift over 8hours (After 30 min warm-up)	<0.1 mrad	<0.05 mrad	<0.05 mrad
Marking speed	1.0m/s	1.0m/s	0.5m/s
Positioning speed	7m/s	4m/s	2m/s
Power requirements	±15VDC Max.5A	±15VDC Max.5A	±15VDC Max.5A
Digital Signal	XY2-100 or SPI	XY2-100 or SPI	XY2-100 or SPI
Analog Signal	±5V	±5V	±5V
Reflection wavelength	10600nm(10.6um) 9300nm(9.3um) 1064nm	10600nm(10.6um) 9300nm(9.3um) 1064nm	10600nm(10.6um) 9300nm(9.3um) 1064nm
Operating temperature	25°C±10°C	25°C±10°C	25°C±10°C

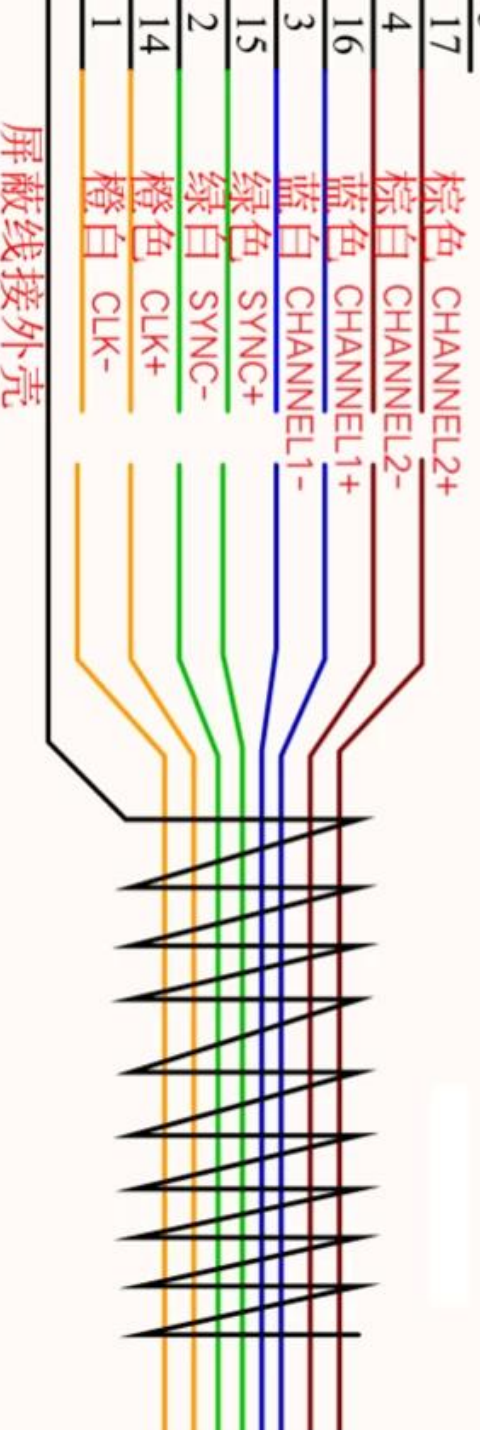
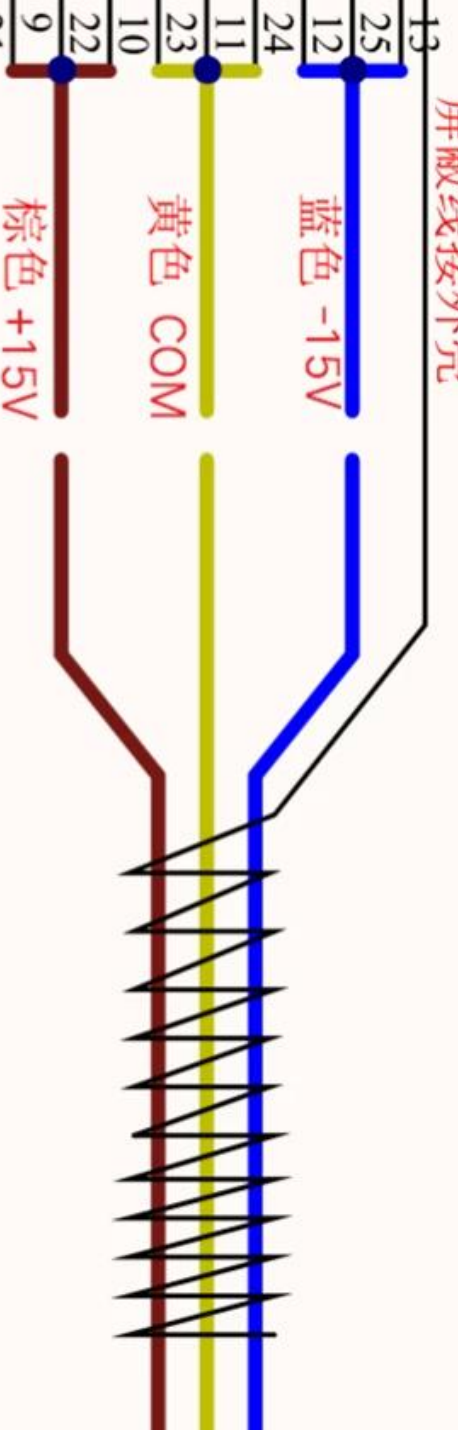
□□) □□□□□□□□□□ □□□□□□□□):



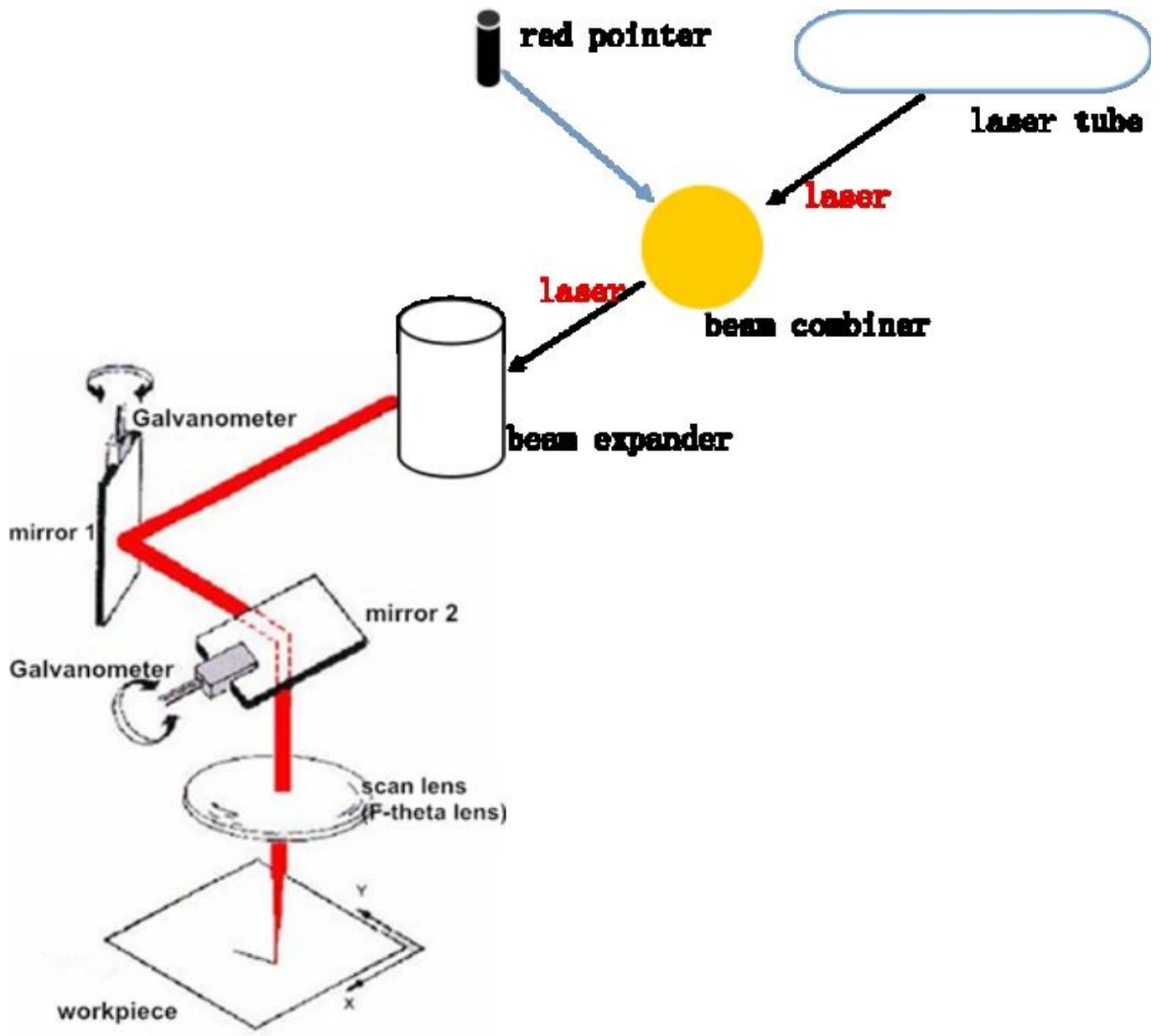


□□□□□□□□□□ □□□□□□ □□□□□□:

屏蔽线接外壳



屏蔽线接外壳





## ZnSe F-theta Scan Lens



## ZnSe Beam Expander 2X, 3X, 106um



## CO2 Glass Tube Reci, Yongli, EFR, SPT 60W-180W

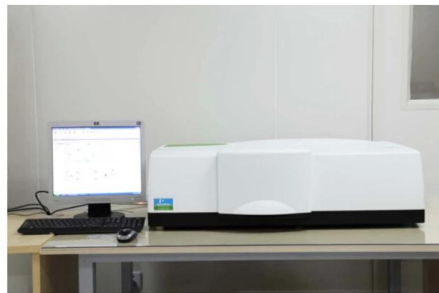








**TRIOPTICS OptiSpheric 2000 AF**  
---Testing EFL, R, Centering Error, Wedge Angle, BFL, MTF



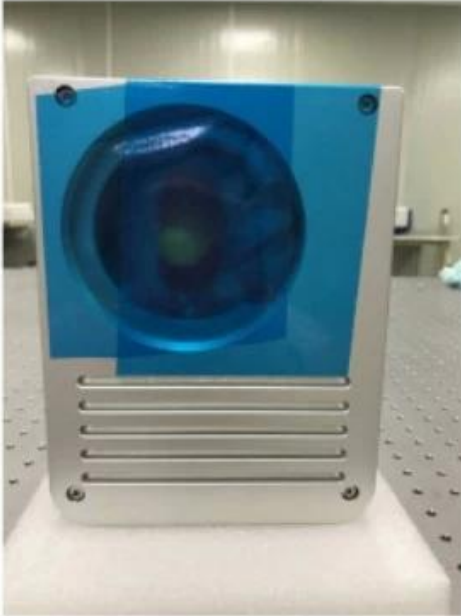
**PerkinElmer Lambda 950**---Testing Transmission and Reflectivity

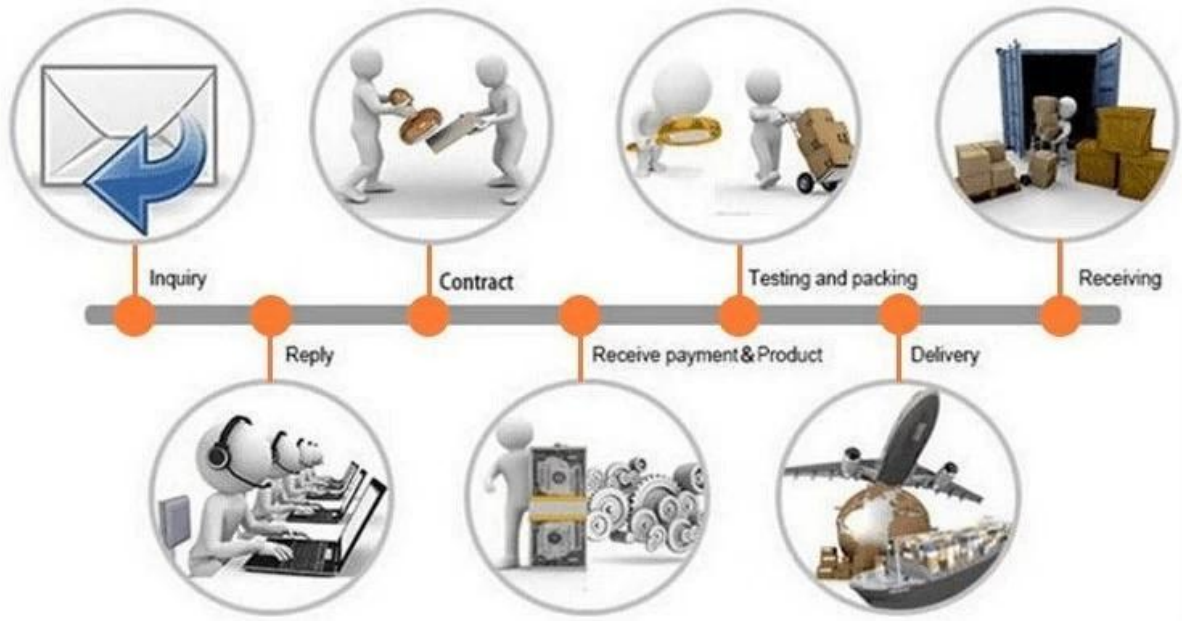


**Carmanhaas Coating Machine**



## Packaging & Shipping





□□□□□□ □□□□:

: 1. 2. 3. 4.

. (1)

. (2)

. (3)

. (4)

QUESTION:

(1) DHL UPS FedEx TNT EMS

(2) EXWork FOB CNF CIF



QUESTION

A1:

Q2.How

:2

.3

A3:

.4

A4:

.5

:5

.6

A6:

.7

A7: OEM / ODMers.

.8

A8: T / T

