

□□□□□□ □□□:

(□□□□□□ □□□□□□ □□□□□□ □□□□□ □□□□ □□□□□□) □□□□□□ □□□ □□□□ □□□□□□ □□□□□□

:□ □□□

□□ 28 (OEM Precitec P0571-1051-00001)

□□□ 12 :□□□□□□ □□□ 24.5 / 28 :□□□□□□□ □□□□□

:□ □□□□□

□□ 28 (OEM Precitec P0571-260-00001)

□□□ 12 :□□□□□□ □□□ 24.5 / 28 :□□□□□□□ □□□□□

:□ □□□□□

□□ 32 (OEM Raytools BT240 / BM109)

□□□ 12 :□□□□□□ □□□ 28.5 / 32 :□□□□□□□ □□□□□

□□□□□□ □□□□□□□:

□□□□□ □□□ □ □□□□□ □□□□□□□ □□□□□□□

□□□□□□ □□□□□□ □ □□□□ □□□□□□ □ □□□□□ □□□□ □□□□□□

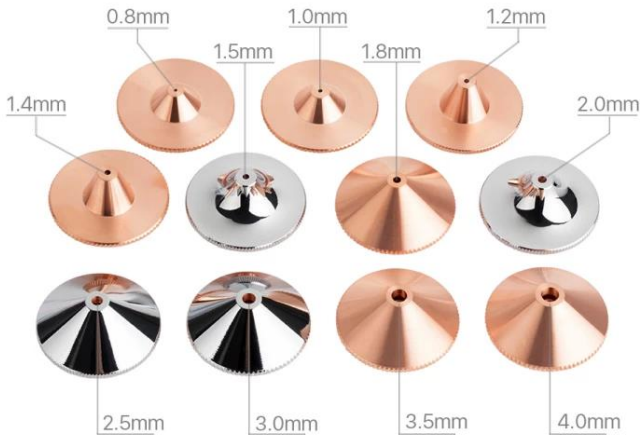
□□□□ □□□□ □□□□□ □□□□



Features

Complete specifications, Spot sale.
 Long life time, Not easy to crack, Not easily stained with ash.
 Low Loss Anti-reflectanc, High Efficiency.
 CNC milling and turning, drilling, grinding, tapping, high accuracy and small error.
 100% inspection before shipment, quality assurance.

Product Details



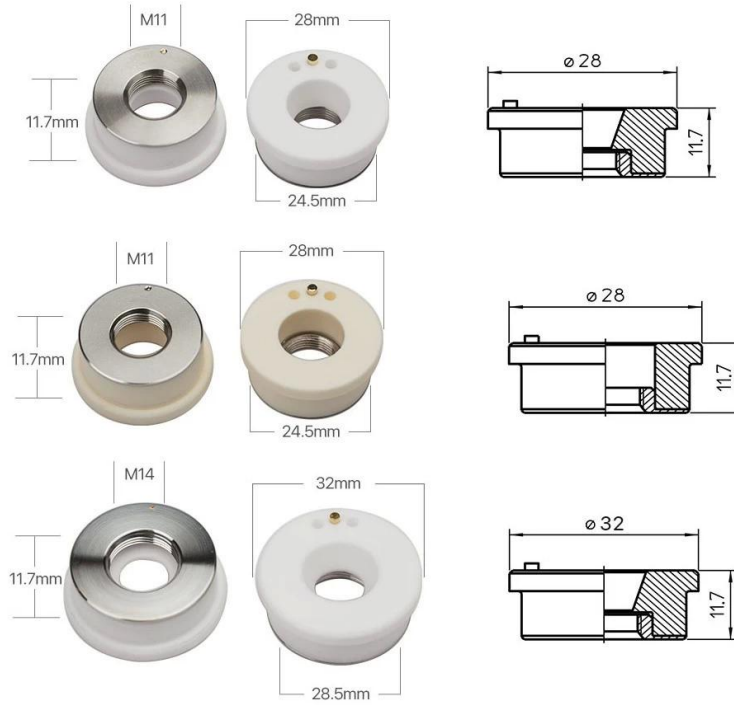
Single Nozzle
 Diameter: 28mm
 Height : 15mm
 Thread : M11

Double Nozzle
 Diameter : 32mm
 Height : 15mm
 Thread : M14





PRODUCT SPECIFICATIONS

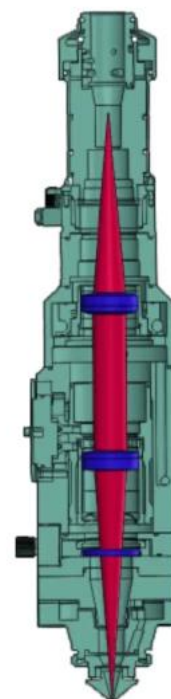


PACKAGING



□□□□ □□□□ □□ □□□□□□ □□□□□□□□:

□□) □□□□□)	□□) □□□□□□□□)	□□□□	□□) □□□□□□)
28	15	□□□□□	1.0 / 1.2 / 1.5 / 2.0 / 2.5 / 3.0 / 3.5 / 4.0 / 4.5 / 5.0
28	15	□□□□□□ □□□	1.0 / 1.2 / 1.5 / 2.0 / 2.5 / 3.0 / 3.5 / 4.0 / 4.5 / 5.0
32	15	□□□□□	1.0 / 1.2 / 1.5 / 2.0 / 2.5 / 3.0 / 3.5 / 4.0 / 4.5 / 5.0
32	15	□□□□□□ □□□	1.0 / 1.2 / 1.5 / 2.0 / 2.5 / 3.0 / 3.5 / 4.0 / 4.5 / 5.0
10.7	22.2	□□□□□	1.0 / 1.2 / 1.5 / 2.0 / 2.5 / 3.0 / 3.5 / 4.0
10.7	22.2	□□□□□□ □□□	1.0 / 1.2 / 1.5 / 2.0 / 2.5 / 3.0 / 3.5 / 4.0
11.4	16	/	0.8 / 1.0 / 1.2 / 1.5 / 2.0 / 2.5
15	19	□□□□□	1.0 / 1.2 / 1.5 / 2.0 / 2.5 / 3.0
15	19	□□□□□□ □□□	0.8 / 1.0 / 1.2 / 1.5 / 1.8 / 2.0 / 2.5 / 3.0



光纤切割头光路示意图
Figure of Fiber Cutting Head



TRIOPTICS OptiSpheric 2000 AF
---Testing EFL, R, Centering Error, Wedge Angle, BFL, MTF



PerkinElmer Lambda 950---Testing Transmission and Reflectivity



Carmanhaas Coating Machine



Packaging & Shipping

Packaging 1



Packaging 2



Packaging 3



Shipping 4





□□□□□□ □□□□:

: 1. 2. 3. 4.

. (1)

. (2)

. (3)

. (4)

QUESTION:

(1) DHL UPS FedEx TNT EMS

(2) EXWork FOB CNF CIF



QUESTION

A1:

Q2.How

:2

.3

A3:

.4

A4:

.5

:5

.6

A6:

.7

A7: OEM / ODMers.

.8

A8: T / T

