

□□□□□ □□□:

□□ □□□□□□ □□□□ □□□□□□ □□□□□□ □□□ □□□ Carmanhaas □□□□□□ □□□ □□□ □□ □□□□□□ □□□□ □□ □□ □□ □□ □□□□ □□□□□□ □□ □□□□□□ □□□□□□ □□ □□□□□□ □□□□□□ □□□□ □□□ □□ □□ □□□□□□. ([Raytool](#) □□□□□ □□□□□□ □□□□□□ □□□□□□)

□□□□□□ □□□□□□:

- (1) □□□□□□ □□□□□□ □□□□□□ □□□□□□ □□□□ □□□□□□□□
- □□□ (2):  $\lambda / 5$
- (3) □□□ 15000 □□□□ □□□□□□ □□□□□□□□
- 20> □□□□□□□□ □□□□□ □ □□□□□□ □□□□□ □□□□□ □□□□□ □□□□□ (4)ppm, long life time
- (5) □□□□□□□□□ 0.2 □□□ □□□ □□□□□ □□□ □□□□□ □□□□



□□□□ □□□□□□ □□□ □□□ □□□□□□ □□□□

□□□□□□ □□□□:

□□□□□□	
□□□□□□ □□□□	□□□□□□□□ □□□
□□□□□□ □□□□□□□□	+0.000 "-0.005"
□□□ □□□□□□□□	± 0.01 "
□□□□□ □□□□□	40-20
□□□□□□) :□□□□□□□□	≤ 1 □□□□□ □□□□□

□□□□ □□□□:

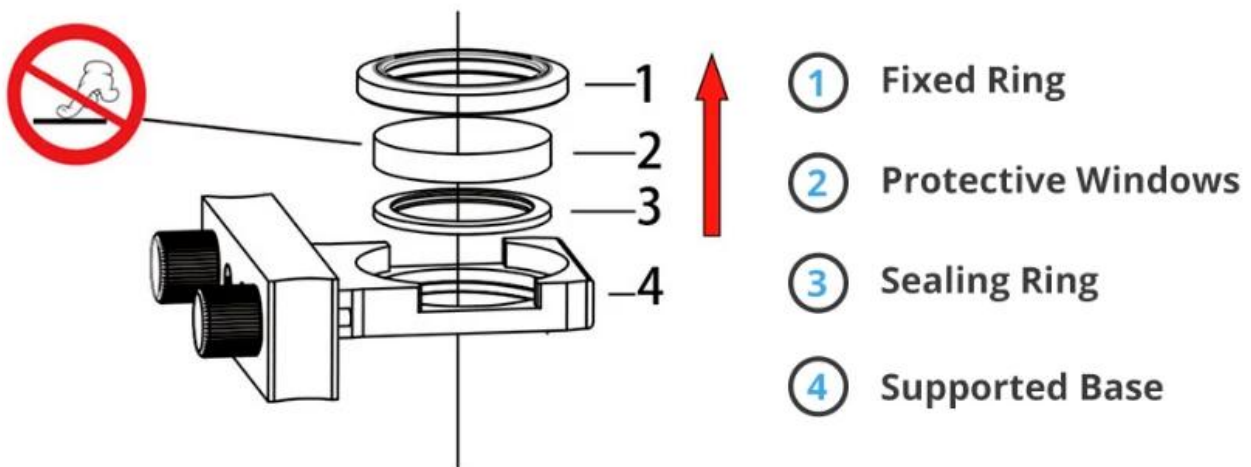
□□□□□□	
□□□□□□□□ □□□ □□□□ □□□□□ AR	
□□□□ □□□□□□□□	< 100PPM
□□□□□□□□□□	> 99.9%

□□□□□ □□□□□□□□ □□□□□ □□□□□:

□□) □□□□□□	□□) □□□	□□□□
21.5	2	AR / AR @ 1030-1090nm

22.35	4	AR / AR @ 1030-1090nm
24.9	1.5	AR / AR @ 1030-1090nm
25.4	4	AR / AR @ 1030-1090nm
27.9	4.1	AR / AR @ 1030-1090nm
30	5	AR / AR @ 1030-1090nm
32	2	AR / AR @ 1030-1090nm
32	5	AR / AR @ 1030-1090nm
34	5	AR / AR @ 1030-1090nm
35	4	AR / AR @ 1030-1090nm
36	5	AR / AR @ 1030-1090nm
37	7	AR / AR @ 1030-1090nm
38	5	AR / AR @ 1030-1090nm
38.1	1.5	AR / AR @ 1030-1090nm
38.1	6.35	AR / AR @ 1030-1090nm
40	3	AR / AR @ 1030-1090nm
40	5	AR / AR @ 1030-1090nm
45	3	AR / AR @ 1030-1090nm

## Installation Diagram

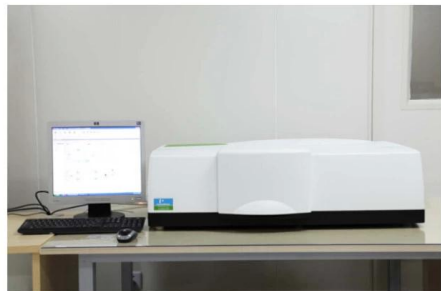


**NOTICE:** 1—3 Parts Should be taken out in the direction of the arrow, otherwise these parts will be damaged.





**TRIOPTICS OptiSpheric 2000 AF**  
---Testing EFL, R, Centering Error, Wedge Angle, BFL, MTF



**PerkinElmer Lambda 950**---Testing Transmission and Reflectivity



**Carmanhaas Coating Machine**



# Packaging & Shipping

## Packaging 1



## Packaging 2



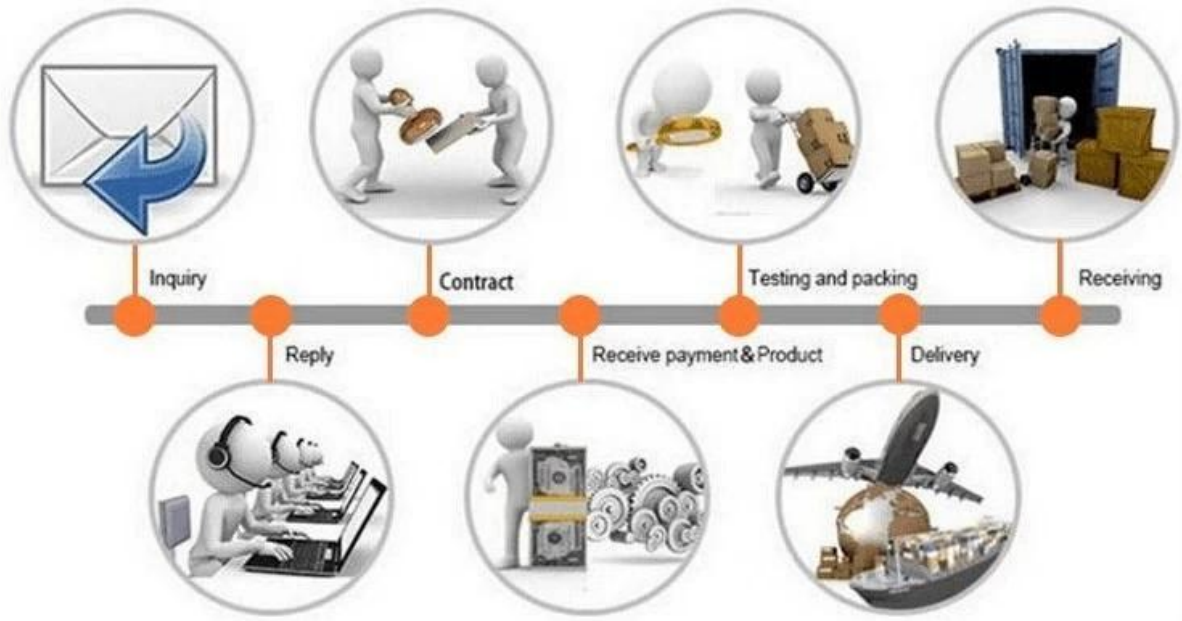
## Packaging 3



## Shipping 4







□□□□□□□□ □□□□□:

:□□□□□□□ □□□□ □□ □□□□

- .000000 000 0000000000 000000 0000 00 000 00000 (1 0000000)
- .00000000 00000 000000000 0000 0000000000 00 00000 0000 0000 0000 (2 00000000)
- .00000000 00000000 0000 0000000 00000 (3 00000000)
- 0000000 00000000 0000000000 00 00000000000 00000000 0000000 (4 00000000).

**0000000000 00000000:**

- (1) 00 0000000000 00000 00 00000 0 00000000 00000000 0000 00000000 DHL 0 UPS 0 FedEx 0 TNT 0 EMS 0000
- (2) 00000 00 00000000000 00000 00 00000 0 00000000 0000 0000 00000000 EXWork 00 FOB 00 CNF 00 CIF 00000 00 0000 00 000000000 000000 0000 0000000 0000000 000000 00000 00 00 00000.



000000 0000 00

**A1:** 0000 00000000 0000000000 0000000 0000000000 00 00000 00000 000000000 00000000 0000 0 0000.

00000000000 00000 0000 0000 .2 0

0000000000 00 0000000000 00000000 0000 0000000 0000000000 0000000000 00000000 00000000 00000000 00000000 00000000 00000000 00000000 00000000 00000000 :2 0 0000000000 0000000 00000000 0000000 0000000000 0000000000.

00000000 0000 0000 .3 0

**A3:** 00000000 000000000 00000 00000000 0000000000 0000000 000000 00000 0000.

000000000 0000 0000000 .4 0

**A4:** 00000 00000 0000000 00000 00000 0 00000000 000000000000 00000000 0000 00000 00 0 0000000000 0000 0000000000 00000 00 00000 .00000000 0000 0000 0000 00000000000 000000000000 0000000000.

00000000000 0000 00000 0000000000 00000 0000000 00000000 00 .5 0

000000000 000000000 000000000 0000000000 000000 00000000 00 000000 !0000 :5 0.

0000 0000000 00000000 000000000 .6 0

**A6:** 000000000 00000 00 00000000 00000000 00000 0 0000.

000000000 00 000000000 0000000000 0000000 000000 0000 00000000 0000 .7 0

**A7:** 0000000 00000000 000000000 0000000 00000000 0000000 OEM / ODMers. 0000000000 0000 00000000 00 0000 0000000000 000000 00000000 00000000000 000000 000000 00.

00000000 00000 00 0000 0000 .8 0

**A8:** 00000 00 0000000 0000000 T / T 0000 0000 0000000000 00000 00000000 0000000 00000000 00000000.