



□□□□□□ □□□□:

□□□□□□	
□□□□□□ □□□□	□□□□□□□□ □□□□□
□□□□□□ □□□□□□□	+0.000 "-0.005"
□□□ □□□□□□□	± 0.01 "
□□□□□ □□□□	40-20
□□□□□) :□□□□□□□□	≤ 1 □□□□□ □□□□□

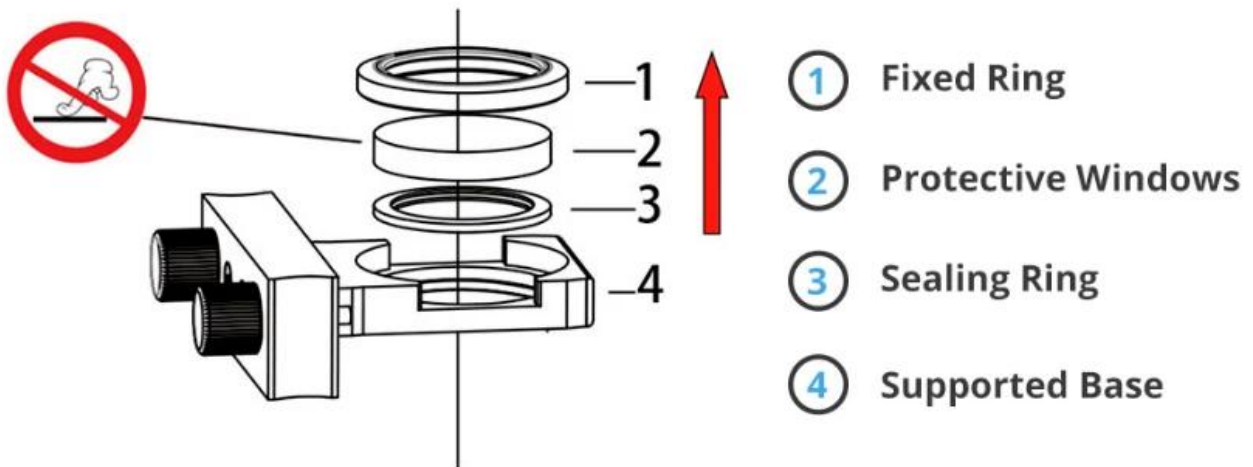
□□□□ □□□□:

□□□□□□	
□□□□□□□□ □□□ □□□□ □□□□□ AR	
□□□□ □□□□□□	<100 □□□□□□□ □□ □□□□
□□□□□□□□	> 99.9□

□□□□□ □□□□□□□□ □□□□□ □□□□□:

□□) □□□□□)	□□) □□□)	□□□□
21.5	2	AR / AR @ 1030-1090nm
24.9	1.5	AR / AR @ 1030-1090nm
32	2	AR / AR @ 1030-1090nm
38.1	1.5	AR / AR @ 1030-1090nm
22.35	4	AR / AR @ 1030-1090nm
25.4	4	AR / AR @ 1030-1090nm
27.9	4.1	AR / AR @ 1030-1090nm
30	5	AR / AR @ 1030-1090nm
32	5	AR / AR @ 1030-1090nm
37	7	AR / AR @ 1030-1090nm
38.1	6.35	AR / AR @ 1030-1090nm

Installation Diagram

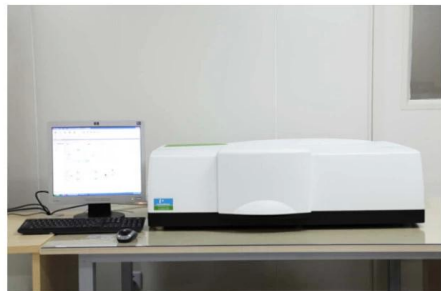


NOTICE: 1—3 Parts Should be taken out in the direction of the arrow, otherwise these parts will be damaged.





TRIOPTICS OptiSpheric 2000 AF
---Testing EFL, R, Centering Error, Wedge Angle, BFL, MTF



PerkinElmer Lambda 950---Testing Transmission and Reflectivity



Carmanhaas Coating Machine



Packaging & Shipping

Packaging 1



Packaging 2



Packaging 3



Shipping 4





□□□□□□ □□□□:

: 1. 2. 3. 4.

. (1)

. (2)

. (3)

. (4)

QUESTION:

(1) DHL UPS FedEx TNT EMS

(2) EXWork FOB CNF CIF



QUESTION

A1:

Q2.How

:2

.3

A3:

.4

A4:

.5

:5

.6

A6:

.7

A7: OEM / ODMers.

.8

A8: T / T

