

QUESTIONNAIRE:

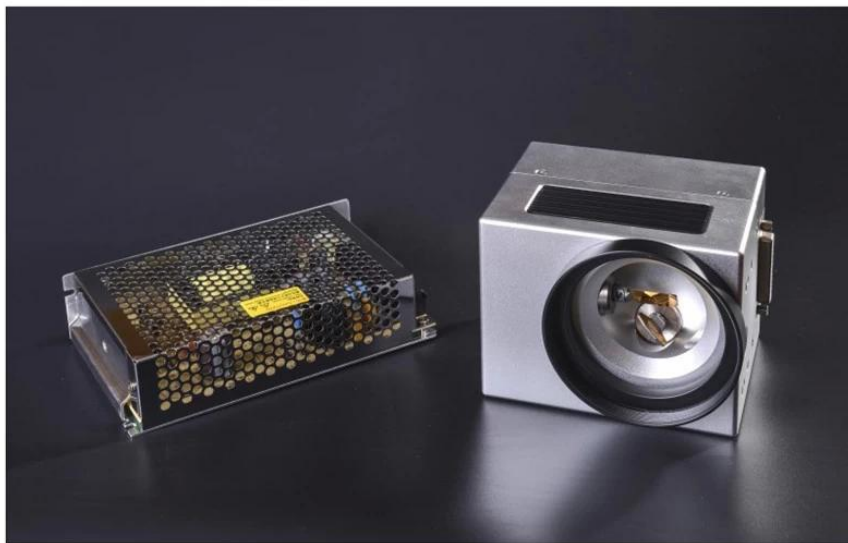
QUESTIONNAIRE: This questionnaire is designed to collect information about your experience with the new system. It will take approximately 10-15 minutes to complete. Your responses are confidential and will be used for research purposes only. The questionnaire consists of several sections, including demographic information, usage patterns, and satisfaction levels. We appreciate your time and feedback.

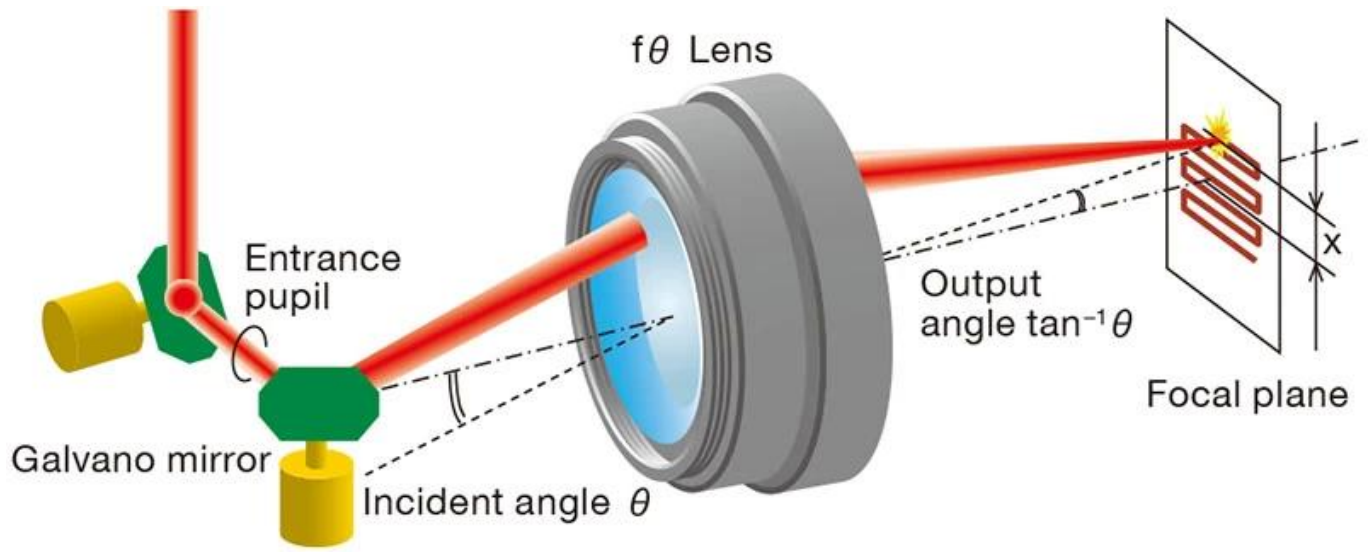
QUESTIONS:

1. Questionnaire: 7 questions, 10 questions, 12 questions, 14 questions, 16 questions, 20 questions, 30 questions 7
2. Questionnaire: This questionnaire is designed to collect information about your experience with the new system. It will take approximately 10-15 minutes to complete. Your responses are confidential and will be used for research purposes only. The questionnaire consists of several sections, including demographic information, usage patterns, and satisfaction levels. We appreciate your time and feedback.
3. Questionnaire: This questionnaire is designed to collect information about your experience with the new system. It will take approximately 10-15 minutes to complete. Your responses are confidential and will be used for research purposes only. The questionnaire consists of several sections, including demographic information, usage patterns, and satisfaction levels. We appreciate your time and feedback. speeds
4. Questionnaire: This questionnaire is designed to collect information about your experience with the new system. It will take approximately 10-15 minutes to complete. Your responses are confidential and will be used for research purposes only. The questionnaire consists of several sections, including demographic information, usage patterns, and satisfaction levels. We appreciate your time and feedback. &
5. Questionnaire: This questionnaire is designed to collect information about your experience with the new system. It will take approximately 10-15 minutes to complete. Your responses are confidential and will be used for research purposes only. The questionnaire consists of several sections, including demographic information, usage patterns, and satisfaction levels. We appreciate your time and feedback.



CO2 Galvo Scanner Set

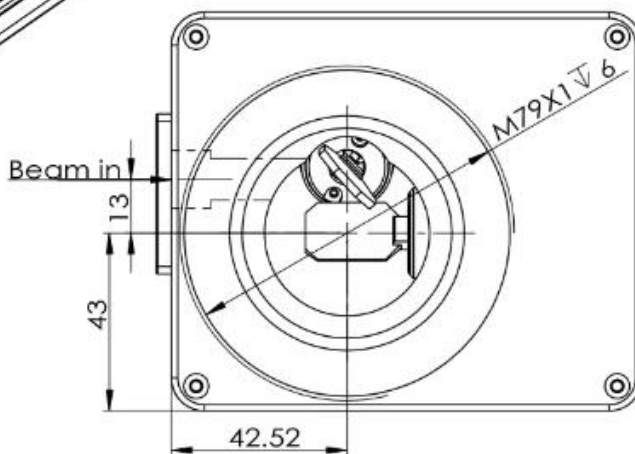
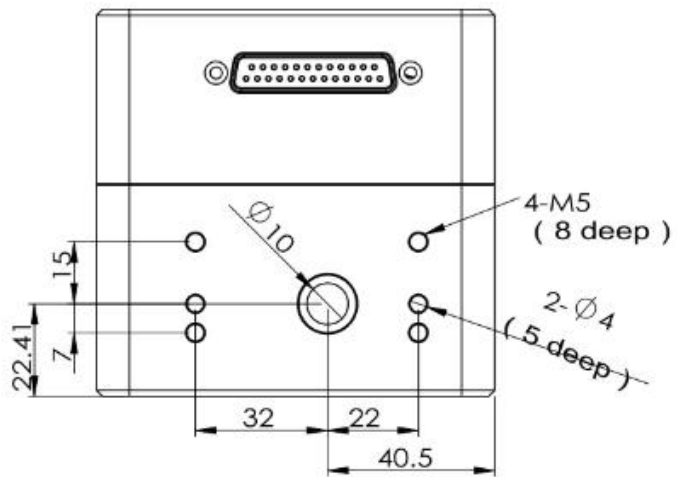
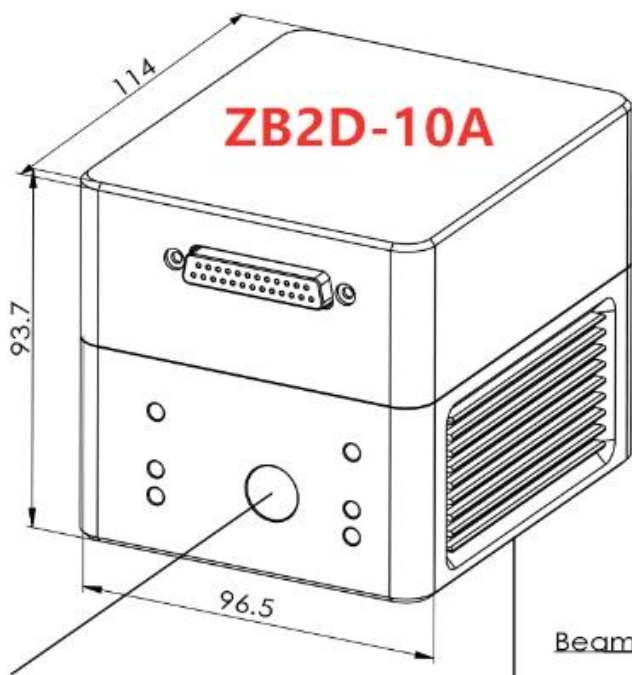


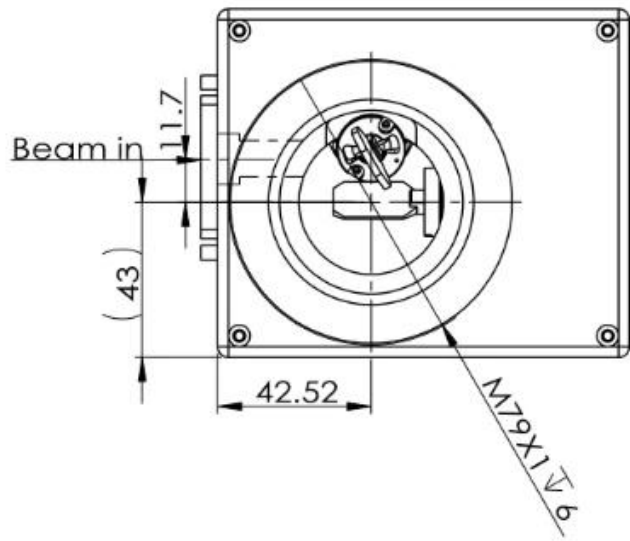
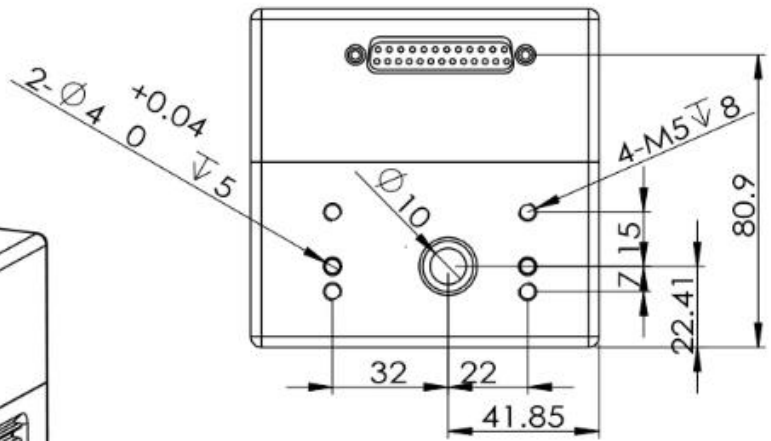
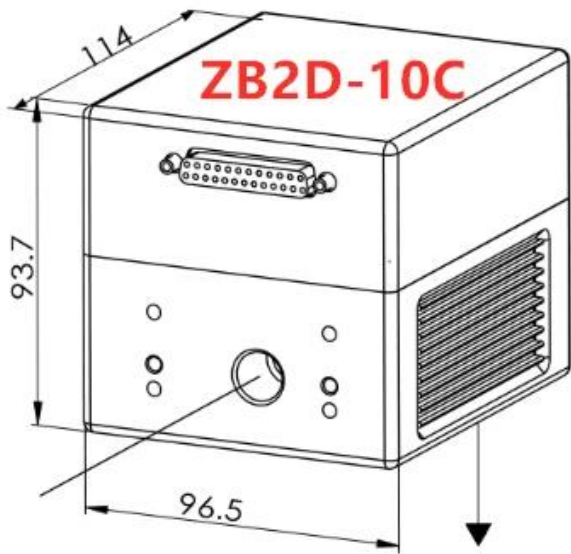


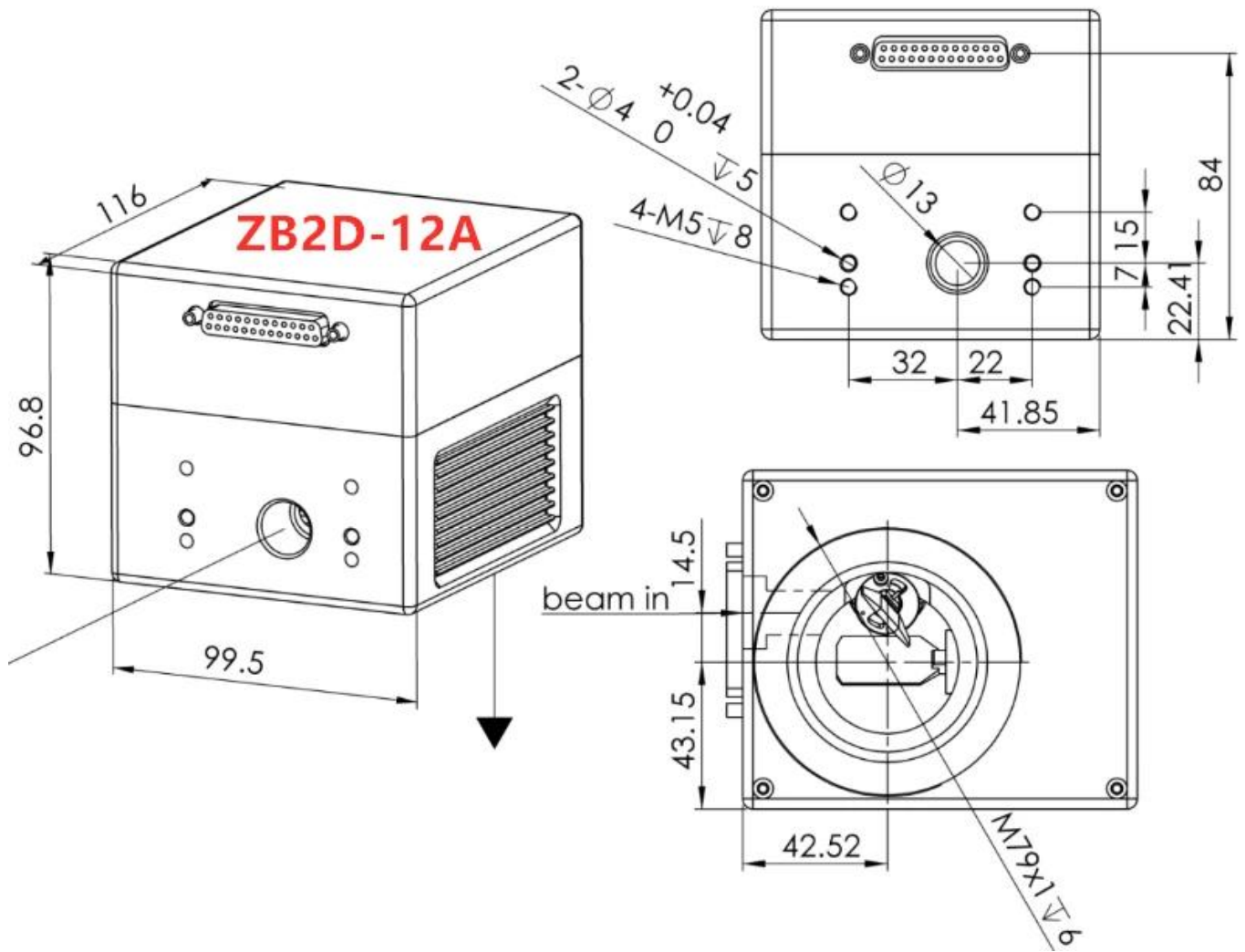
□□□□□ □□□□□:

Model	ZB2D-10A	ZB2D-10C	ZB2D-12A
Aperture (mm)	10	10	12
Typical scan angle	±0.35 rad	±0.35 rad	±0.35 rad
Nonlinearity	<0.5 mrad	<2 mrad	<0.5 mrad
Tracking error	0.15ms	<0.2ms	0.2ms
Step Response Time	<0.3ms	<0.4ms	<0.4ms
Repeatability	<15 urad	<20 urad	<15 urad
Gain drift	<50 ppm/K	<50 ppm/K	<50 ppm/K
Zero drift	<30 urad/K	<30 urad/K	<30 urad/K
Long-term drift over 8hours (After 30 min warm-up)	<0.1 mrad	<0.1 mrad	<0.1 mrad
Marking speed	2.5m/s	2m/s	2m/s
Positioning speed	15m/s	10m/s	10m/s
Power requirements	±15VDC Max.5A	±15VDC Max.3A	±15VDC Max.5A
Digital Signal	XY2-100	XY2-100 or SPI	XY2-100 or SPI
Analog Signal	±5V	±5V or ±10V	±5V
Reflection wavelength	10600nm (10.6um) 9300nm (9.3um)	10600nm (10.6um) 9300nm (9.3um)	10600nm (10.6um) 9300nm (9.3um)
Operating temperature	25°C±10°C	25°C±10°C	25°C±10°C

XXXXXXXX XXXX (XXXX)

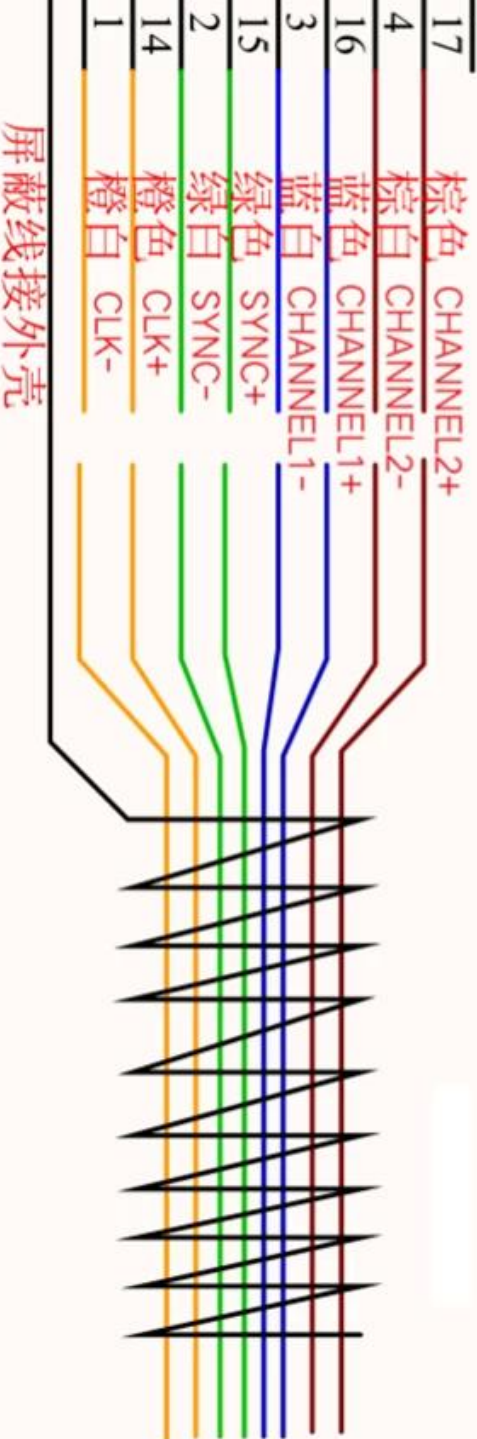
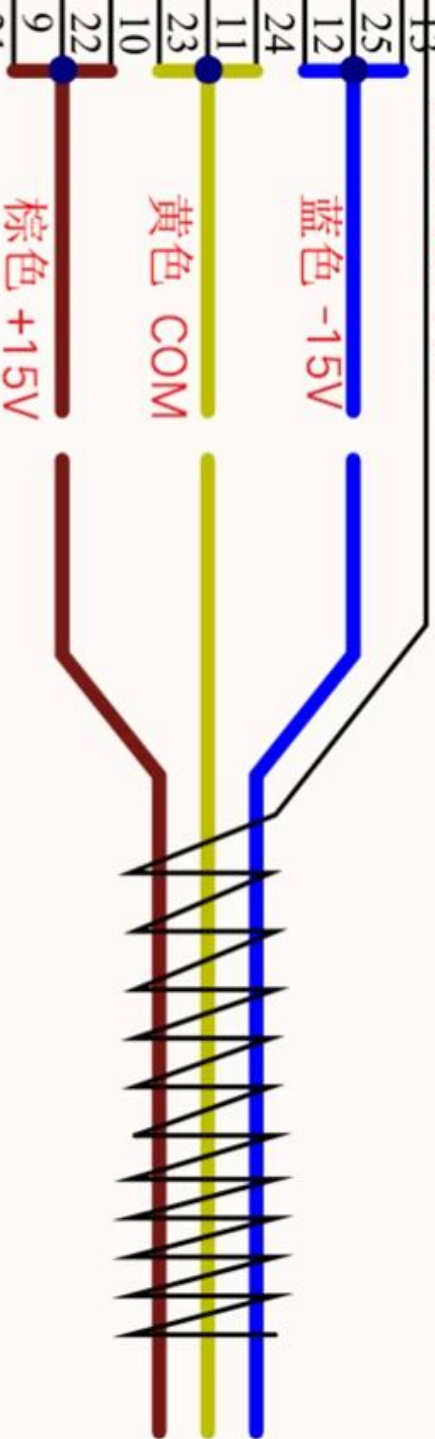






□□□□□□ □□□□□□ □□□□□□:

屏蔽线接外壳



屏蔽线接外壳



ZnSe Scan Lens



ZnSe Beam Expander

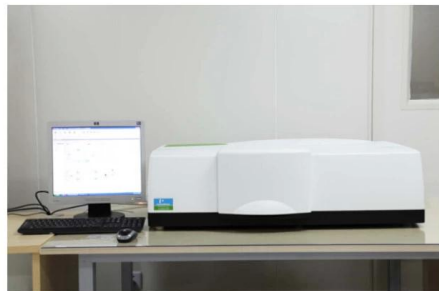


CO2 Laser Source: 20W 30W 40W 60W





TRIOPTICS OptiSpheric 2000 AF
---Testing EFL, R, Centering Error, Wedge Angle, BFL, MTF



PerkinElmer Lambda 950---Testing Transmission and Reflectivity



Carmanhaas Coating Machine



Product Packaging





□□□□ □□□□:

請將下列各題之正確答案填入括弧中：

- 1) 下列何者為最常見之包裝材料？ ()
- 2) 下列何者為最常見之包裝材料？ ()
- 3) 下列何者為最常見之包裝材料？ ()
- 4) 下列何者為最常見之包裝材料？ ()

請選：

- (1) 下列何者為最常見之包裝材料？ ()
- (2) 下列何者為最常見之包裝材料？ ()

請將下列各題之正確答案填入括弧中

Q1. 下列何者為最常見之包裝材料？

A1: 紙箱, 紙箱, 紙箱, 紙箱, 紙箱, 紙箱, 紙箱, 紙箱, 紙箱, 紙箱

請將下列各題之正確答案填入括弧中 Q2.How

A2: 紙箱, 紙箱, 紙箱, 紙箱, 紙箱, 紙箱, 紙箱, 紙箱, 紙箱, 紙箱

請將下列各題之正確答案填入括弧中 Q3.How

A3: 紙箱, 紙箱, 紙箱, 紙箱, 紙箱, 紙箱, 紙箱, 紙箱, 紙箱, 紙箱

Q4.How 下列何者為最常見之包裝材料？

A4: 紙箱, 紙箱, 紙箱, 紙箱, 紙箱, 紙箱, 紙箱, 紙箱, 紙箱, 紙箱

Q5.May 下列何者為最常見之包裝材料？

A5: 紙箱! 紙箱, 紙箱, 紙箱, 紙箱, 紙箱, 紙箱, 紙箱, 紙箱, 紙箱, 紙箱

Q6. 下列何者為最常見之包裝材料？

A6: 紙箱, 紙箱, 紙箱, 紙箱, 紙箱, 紙箱, 紙箱, 紙箱, 紙箱, 紙箱

Q7.How 下列何者為最常見之包裝材料？

A7: 紙箱, 紙箱, 紙箱, 紙箱, 紙箱, 紙箱, 紙箱, 紙箱, 紙箱, 紙箱

請將下列各題之正確答案填入括弧中 8. 下列何者為最常見之包裝材料？

A8: 〇〇 〇〇 / 〇〇 〇〇〇〇〇〇 〇〇〇〇〇〇 〇〇 〇〇〇〇 〇〇〇 〇〇〇〇〇〇〇〇〇 〇〇〇〇 〇〇 〇〇〇〇 〇〇〇〇〇〇 〇〇〇〇〇〇 〇〇〇〇 〇〇 MOQ 〇〇 〇〇〇
〇〇〇〇〇〇 〇〇〇〇〇〇