

000000 00 00000000

000000 00000:

000000 000 [0000_0000_0000_00000000000000](#), 0000 00000000 0000 00 0000000 00 0000 000000 00 000000 000000 0000 00 00000 00000000000000 0000 00 00000000 000000 0000 000000 00000 0000 0000 00000000000000 0000, 0000 0000 0000 00 000-0000 00 0000 000000 00 0000000000 0000 00 0000000000 0000 0000 0000000000 0000 00 0000 00000000 0000 00 0000 00000000 0000 00 0000 000000 0000 00 0000 000000 0000 00000000 00 000000 0000

000000 000 [0000_000000_00000000_0000_0000000000](#) 0000 0000 00 000 00000000 0000 00 00000000 000000

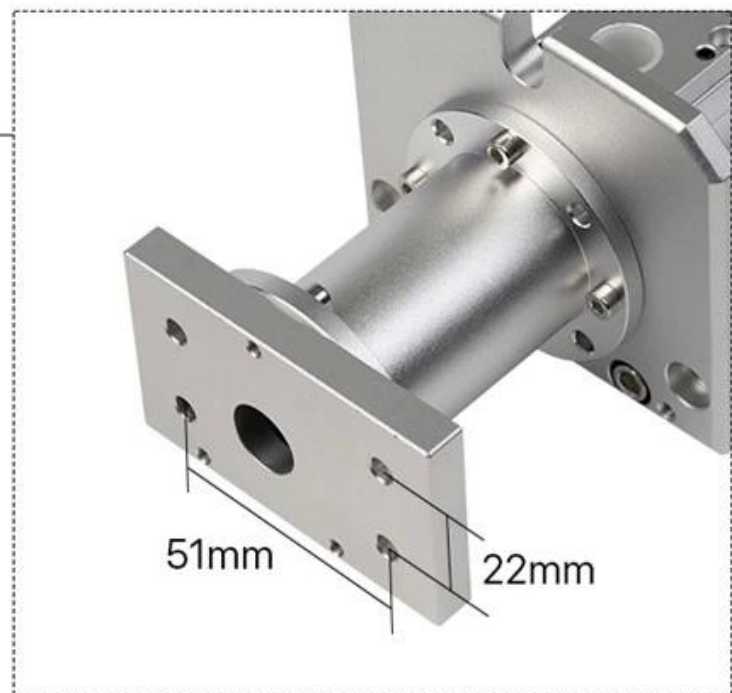
Specification&Parameters



Dimension

Blue & Red & Silver







□□□□□□□□









重要仪器,
非专业人士勿动。

OptiCentric 300

TRIOPTICS





PerkinElmer Lambda 950---Testing Transmission and Reflectivity



□□□□□□□□ □□ □□□□□□□□





C E R T I F I C A T E

ATTESTATION CERTIFICATE OF MACHINERY AND LOW VOLTAGE DIRECTIVES

Technical file of the company mentioned below has been observed and audit has been completed successfully. 2006/42/EC Machinery Directive and 2014/35/EU Low Voltage Directive have been taken as references for these processes

Company Name : **Camman HAAS Laser Technology (Suzhou) Co., Ltd.**

Company Address : No 155, West Road Suhong, Suzhou Industrial Park, Suzhou City, Jiangsu , P.R.China

Related Directives and Annex : **Low Voltage Directive 2014/35/EU
Machinery Directive 2006/42/EC**

Related Standards : **EN ISO 12100:2010; EN 60204-1:2006+A1:2009+AC:2010**

Product Name : **Laser Marking Machine**

Report No and Date : SD-90049717:09.08.2018

Product Brand/Model/Type : LMCH-3W,LMCH-5W,LMCH-10W,LMCH-15W,LMCH-20W,LMCH-25W,
LMCH-30W,LMCH-50W,LMCH-60W,LMCH-70W,LMCH-100W,
LMCH-120W,LMCH-150W,LMCH-200W,LMCH-300W,LMCH-500W

Certificate Number : **M.2018.201.N6073**

Initial Assessment Date : 10.08.2018

Registration Date : 13.08.2018

Reissue Date/No :

Expiry Date : **12.08.2023**

U. Bayraktar
UDEM International Certification
Auditing Training Centre Industry
and Trade Inc. Co.



The validity of the certificate can be checked through www.udem.com.tr. The CE mark shown on the right can only be used under the responsibility of the manufacturer with the completion of EC Declaration of Conformity for all the relevant Directives. This certificate remains the property of UDEM International Certification Auditing Training Centre Industry and Trade Inc. Co. to whom it must be returned upon request. The above named firm must keep a copy of this certificate for 15 years from the registration of certificate. This certificate only covers the product(s) stated above and UDEM must be noticed in case of any changes on the product(s)
Address: Mulkikent Mahallesi 2073 Sokak (Eski 93 Sokak) No:10 Çankaya - Ankara - TÜRKİYE
Phone: +90 0312 443 03 90 Fax: +90 0312 443 03 70
E-mail: info@udemtd.com.tr www.udem.com.tr



Certificate of Approval

Certificate No.: 10119Q12565ROM

Awarded to

**Carman Haas Laser Technology(SuZhou)
Co., Ltd.**

Organization Code Certificate No. / Unified Social Credit Code:91320594M1MF4EP56
Add.:No.155, West Road Suhong, Suzhou Industrial Park, Suzhou City, Jiangsu Province, P.R. China. 215000

Beijing ZhongLian TianRun Certification Center (ZLTR) certify that the
Quality Management System of the above organization has been assessed and found to be
in accordance with the requirements of the standard:
GB/T19001-2016 / ISO9001:2015

SCOPE OF CERTIFICATION/REGISTRATION

The Research and Development and Production of Optics Lenses (Except the limits of national laws and regulations.)

This certificate is made valid when used with certification scopes and the requirements of applicable laws and regulations. These requirements include, but are not limited to, administrative permits, scopes of qualifications, and CCC requirements.

Subject to operation conditions in requirements conformity with Quality Management System,

This Certificate is valid for a period of three years only,

Date from: Mar 13th,2019 To: Mar 12th,2022

The effectiveness of this Certificate shall be Validated by periodic surveillance audit of ZLTR for maintenance.

Information of this certificate can be found on the official website of Beijing Zhonglian Tianrun Certification center (<http://www.zltr.com.cn>)



Beijing Zhongliantianrun Certification Center

Room2603, 22nd Floor, 2nd Unit, Block 1, No.4 Yard, Qiyang Road, Chaoyang District, Beijing, P.R. China 100102

Information of this certificate can be found on the official website of Certification and Accreditation Administration of the People's Republic of China (<http://www.cnca.gov.cn>)

ISO 9001

ISO 9001



□□□□□□ □□□□





□□□□ □□□□:

□□□□□□ □□ □□□□□□□□ □□□□ □□□□□□:

- 1) □□ □□□□□□□□ □□□□ □□ □□□□ □□□□□□ □□□□□□
- 2) □□□□ □□□□ □□□□ □□□□□□ □□ □□□□ □□□□ □□□□ □□ □□□□ □□□□□□ □□□□□□
- 3) □□□□ □□□□ □□□□ □□ □□□□□□□□□□ □□□□ □□□□□□□□
- 4) □□□□ □□□□□□□□□□ □□ □□□□□□ □□ □□□□ □□□□ □□□□□□

□□□□:

□□□□□□□□ □□□□□□ □□□□□□□□, □□□□□□□□, □□□□□□□□, □□□□□□□□, □□□□□□ □□□□□□□□
 □□□□ □□□□ □□□□□□□□ □□ □□□□, □□□□□□□□□□, □□□□□□□□, □□□□□□□□ □□ □□□□□□□□ □□ □□□□□□
 □□ □□ □□□□□□□□ □□ □□□□□□ □□ □□□□□□ □□□□□□ □□□□□□ □□□□□□ □□□□□□ □□□□□□

□□□□□□□□ □□□□□□□□



□□□□□□□□ **1.** □□□□ □□ □□□□□□□□□□?

□□ 1: □□□□, □□ □□□□□ □□□ □□ □□□□□□ □□□□□□ □□ □□□□ □□□□□□ □□ □□□□□□ □□□□□□ □□□□□□ □□□□□□

Q2: 貴社はどのような製品を扱っていますか？

A2: 私たちは主に高品質の電子部品、半導体、および組み立て済みの電子機器を扱っています。また、お客様のニーズに応じてカスタマイズされたソリューションも提供しています。

Q3: 貴社の強みは何ですか？

A3: 私たちの強みは、豊富な製品ラインナップ、迅速な納期、そして優れたカスタマーサポートにあります。また、業界で長い実績と信頼も大きな強みです。

Q4: 貴社の製品はどのような市場で使われていますか？

A4: 私たちの製品は、消費電子製品、産業用電子機器、自動車電子部品、およびIoTデバイスなど、幅広い市場で使われています。

Q5: May 2024年5月の最新情報やキャンペーンについて教えてください。

A5: はい！現在、特別価格のキャンペーンを実施中です。また、5月の最新情報については、当社のウェブサイトをご覧ください。

Q6: 貴社の製品は環境に優しいですか？

A6: はい、私たちは環境に優しい製品を開発・製造しています。また、持続可能な調達方針も実施しています。

Q7: OEM / ODM 対応はありますか？

A7: はい、OEM / ODM 対応は可能です。お客様のニーズに合わせて、柔軟なカスタマイズサービスを提供しています。

Q8: 貴社の MOQ (Minimum Order Quantity) はどのくらいですか？

A8: MOQ は製品によって異なります。一般的な MOQ は 1000個ですが、一部の製品では 500個からでも対応可能です。