

□□ □□ :

□□ □□ □□ □□□ □□ □□ □□, Carmanhaas □□ □□ 2D □□ □□ □□□, 3D □□ □□ □□□, □□ □□ □□ □□□, □□□ □□ □ □□ □□ □□□ □□□□.

□□ (A □□□) □ □□ □□□ □□□□ Carmanhaas 2 □ □□ □□ □□ □□ □□ □□, □□ □□, □□ □□, □□ □□ □□□, 3D □□, □□ □□, □□ □□, □□ □ □□ □□ □□ □□ □□□□□□□. □□□□ □□.

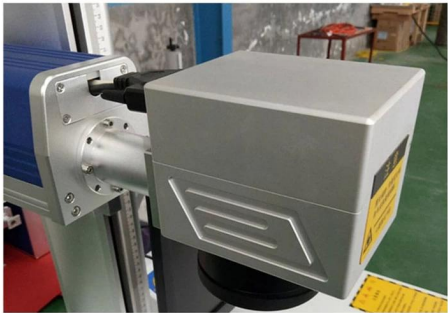
□□:

1. □□□ : 7mm, 10mm, 12mm, 14mm, 16mm, 20mm, 30mm;
- 2.Good □□, □□ □□ □□, □□ □□ □ □□□□;
- □□□ □□□□ □□□□□ 3.Highest □□ □□;
- □□ □□ □□ □□ □□ 4.High □□□ & □□ □□ □□;
- □□ □□□□ □□ □□□ □□ □□□ 5.Wide □□.

PRODUCT DETAILS

HIGH SPEED
GALVO LENS

SMALL SIZE, FRIENDLY INTERFACE
IN ORDER TO IMPROVE THE QUALITY OF EXPORT,
USE NEW TECHNOLOGY, NEW CRAFT, IN THE GALVO
LENS SCANNING SYSTEM; GRAPHIC IS GOOD, NO DISTORION ETC...



1064nm Galvo Scanner Head with Power Supply & DB25 cable



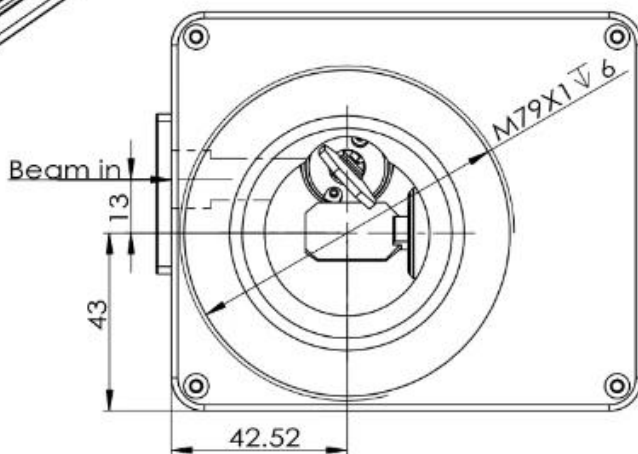
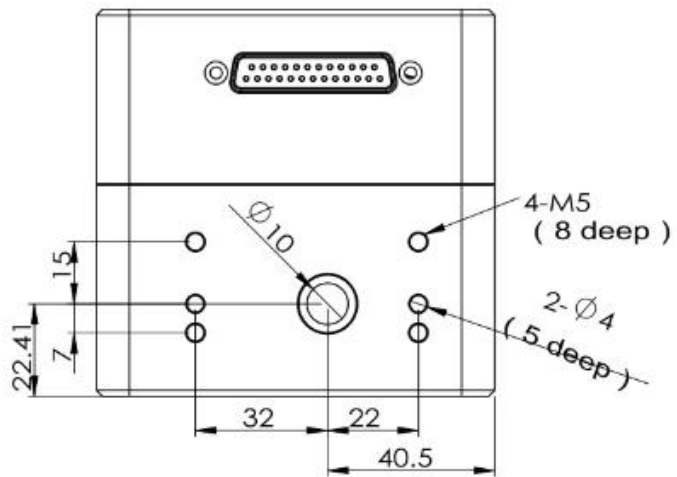
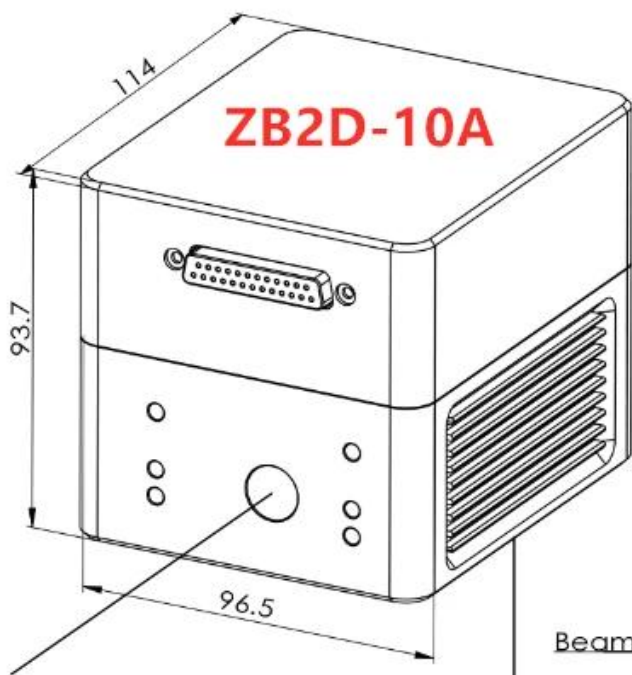
Optional Aperture:

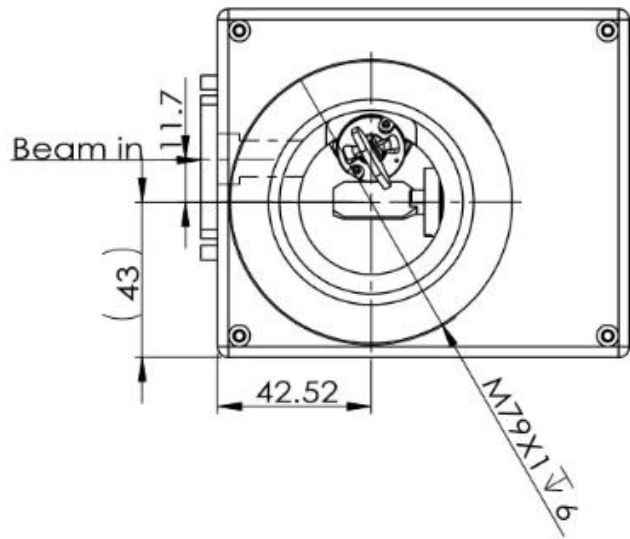
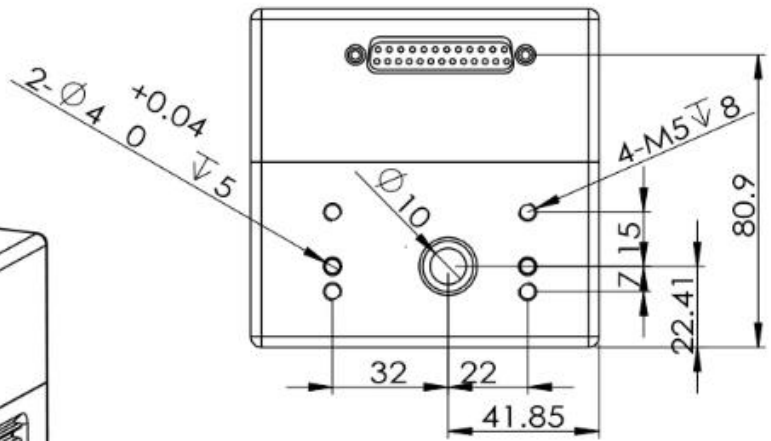
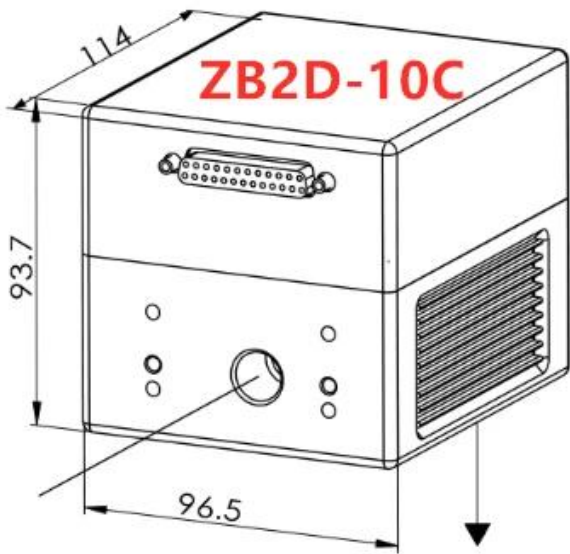


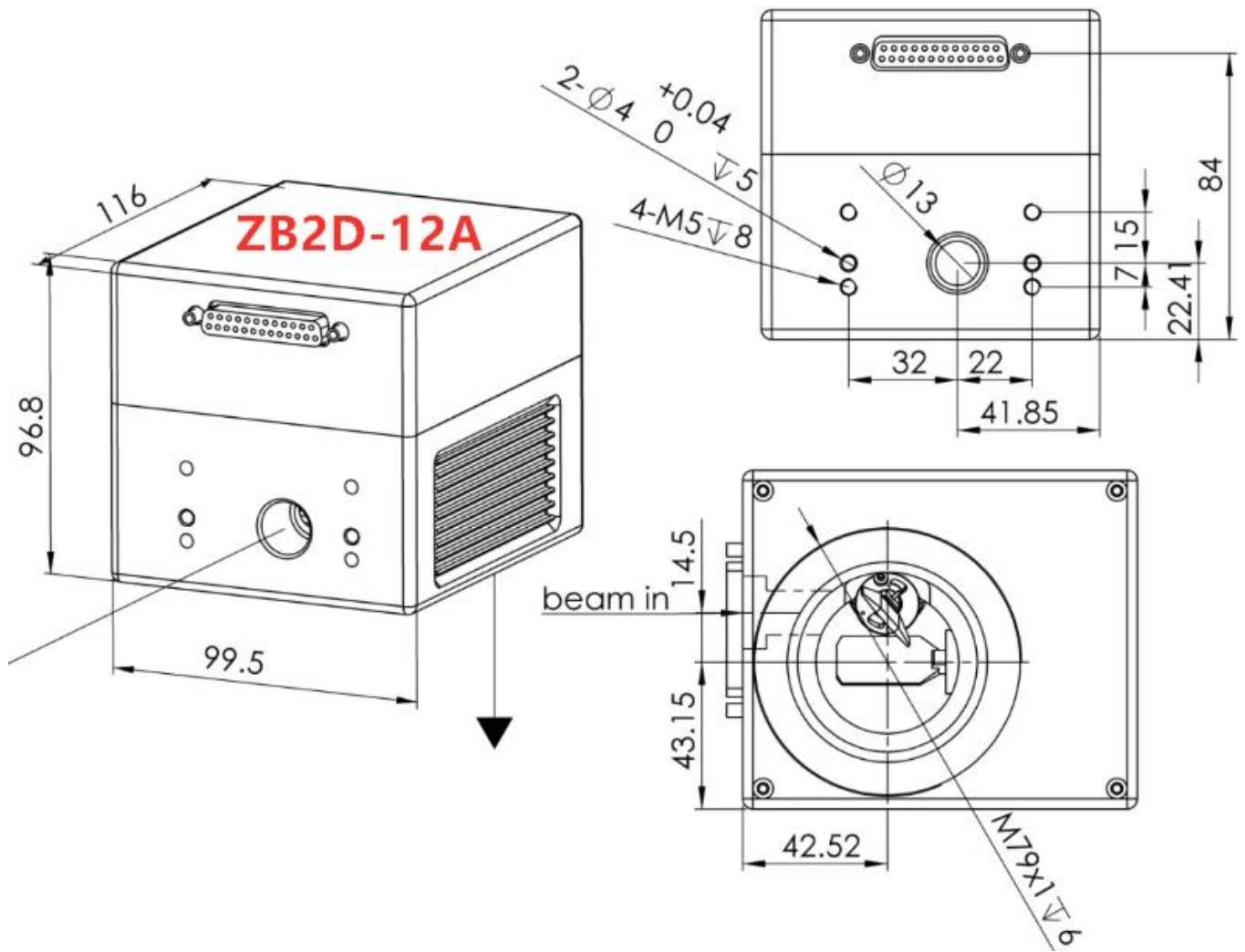
□□□ □ □□ □□ :

Model	ZB2D-10A	ZB2D-10C	ZB2D-12A
Aperture (mm)	10	10	12
Typical scan angle	±0.35 rad	±0.35 rad	±0.35 rad
Nonlinearity	<0.5 mrad	<2 mrad	<0.5 mrad
Tracking error	0.15ms	<0.2ms	0.2ms
Step Response Time	<0.3ms	<0.4ms	<0.4ms
Repeatability	<15 urad	<20 urad	<15 urad
Gain drift	<50 ppm/K	<50 ppm/K	<50 ppm/K
Zero drift	<30 urad/K	<30 urad/K	<30 urad/K
Long-term drift over 8hours (After 30 min warm-up)	<0.1 mrad	<0.1 mrad	<0.1 mrad
Marking speed	2.5m/s	2m/s	2m/s
Positioning speed	15m/s	10m/s	10m/s
Power requirements	±15VDC Max.5A	±15VDC Max.3A	±15VDC Max.5A
Digital Signal	XY2-100	XY2-100 or SPI	XY2-100 or SPI
Analog Signal	±5V	±5V or ±10V	±5V
Reflection wavelength	1064nm/532nm/355nm		1064nm
Operating temperature	25°C±10°C	25°C±10°C	25°C±10°C

□□□ □□ (mm) □

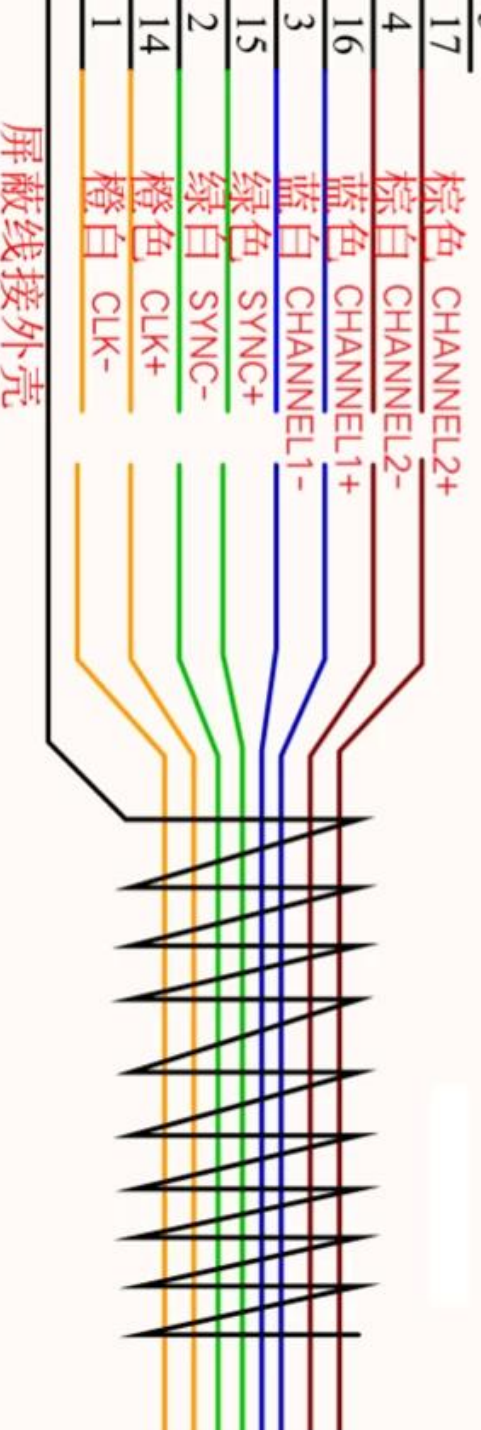
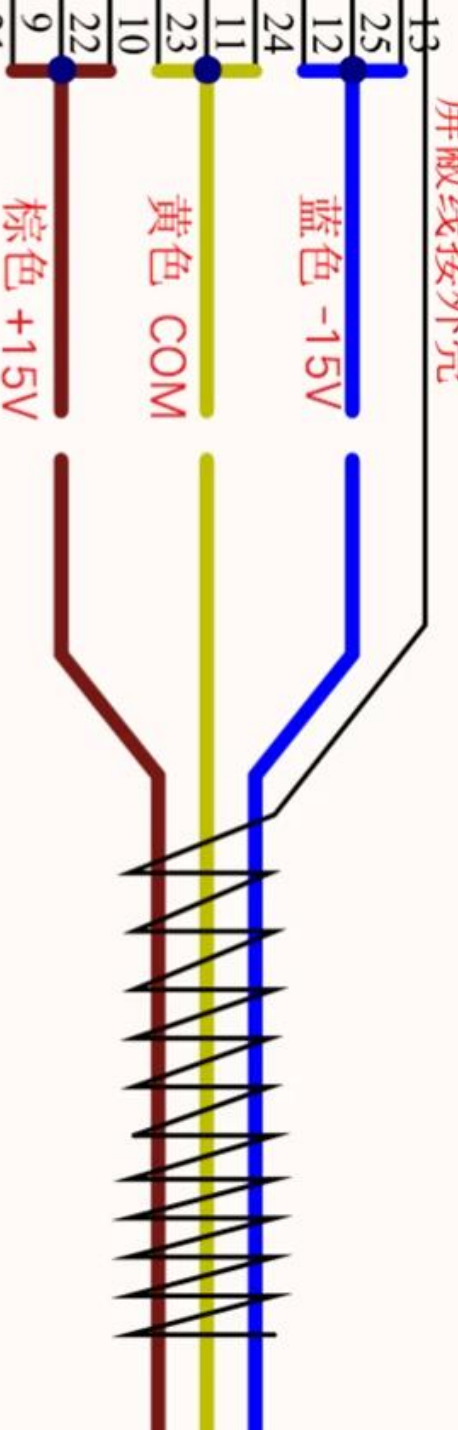




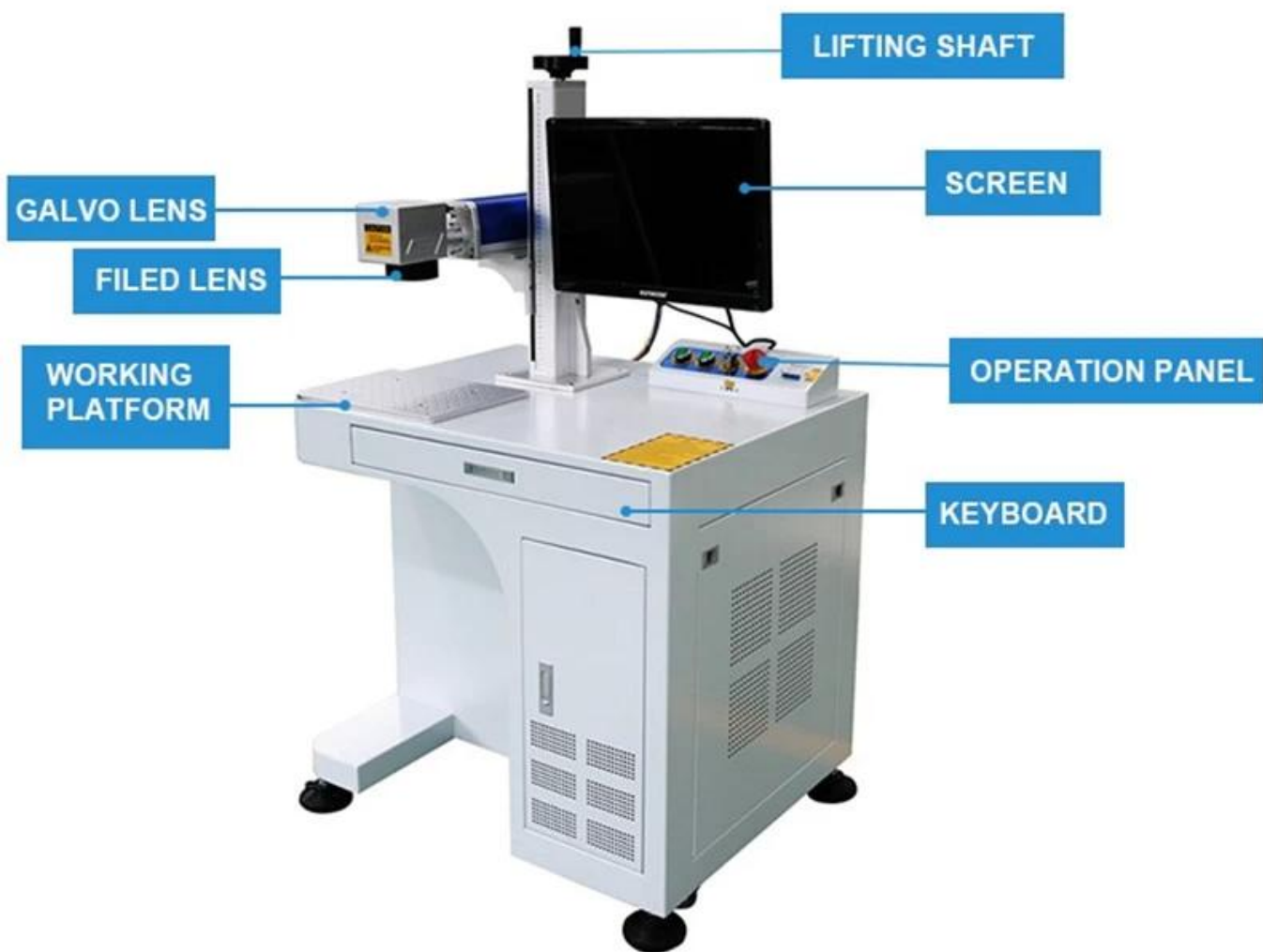


□ □ □ □ □ □ :

屏蔽线接外壳



屏蔽线接外壳





1064nm F Theta Scan Lenses



Marking Software JCZ EZCard

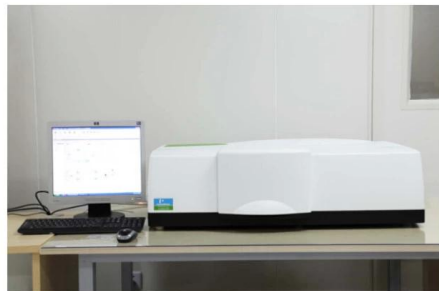


Fiber Marking Machine





TRIOPTICS OptiSpheric 2000 AF
---Testing EFL, R, Centering Error, Wedge Angle, BFL, MTF



PerkinElmer Lambda 950---Testing Transmission and Reflectivity



Carmanhaas Coating Machine



Product Packaging





□□□ □□□ □□ :

- 1 □□)□ □ □□□ □□□□ □□□□□□.
- 2 □□) □□□□ □□□ □□ □□□ □ □□□ □□□□□□.
- 3 □□) □□ □□ □□□ □□□□□.
- 4 □□) □□ □ □□ □□ □□□ □□ □□□ □□□□□□.

□□ □□:

- (1) □□□ □□ □□ □□, □□ DHL, UPS, □□□, TNT, EMS □
- (2) □□□ □□ □□ □□, □□ EXEX, FOB, CNF, CIF □□ □□ □□ □□□□ forwar ders □□ □□□.



Q1. □□□□□□?

A1 : □□□□□, □□□ □□□ □□□ □ □ □□ □□□ □□ □□□□□ □□□□□□.

Q2. □□□ □□□ □□?

A2 : □□□ □□□□ QC □□ □□ □□□ □□□ □□ □□ □□, □□ □□ □ □□□□ □□□□ □□□ □□□□□□.

Q3. □□□ □□?

A3 : □□□ □□□□□ □□ □□□ □□□□ □□ □□ □□□ □□□□□.

Q4. □□□□ □□?

A4 : □□□ □□□, □□ □□□□ □□ □□□□ □□, □□□ □ □□ □□, □□, □□ □. □□□□□□.

Q5. □□ □□□ □□□□□ □□ □□□ □□ □ □□□□?

A5 : □□□□□! □□□ □□□ □□□□ □□□□ □□ □□□ □ □□□□.

Q6. □□□ □□ □ □ □□□□?

A6 : □□□□□, □□□ □□□ □□□ □□ □□□ □□□□ □□.

Q7. □□□ OEM □□ ODM □□?

A7 : □□□ □□ □□ □□ □□ OEM / ODM orders. □□□ □□□□ □□□□□ □□ □□□□ □□□□□□.

Q8. □□ □□□ □□□ □□□□□?

A8 : □□□ □□ T / T □□□ □□□ □□ □ □□□ □ □□.