

□□ □□ :

□□ □□ □□ □ □□□ □□□

□□ A :

28mm (OEM Precitec P0571-1051-00001)

□□ □□ : 28 / 24.5mm □□ : 12mm

□□ B :

28mm (OEM Precitec P0571-260-00001)

□□ □□ : 28 / 24.5mm □□ : 12mm

□□ C :

32mm (OEM Raytools BT240 / BM109)

□□ □□ : 32 / 28.5mm □□ : 12mm

□□ □□:

(1) □□ □□□, □□□□ □□, □□

(2) □□□ □□ □□, □□□ □□□, □□□

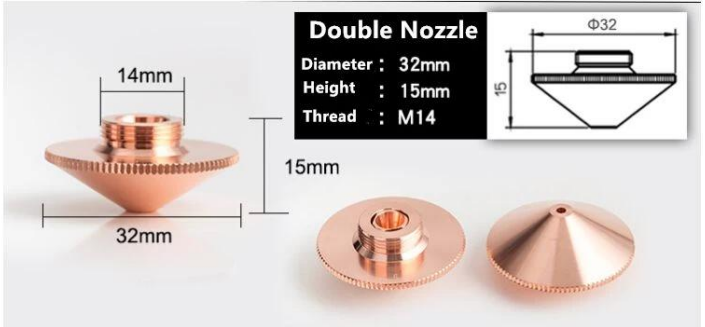
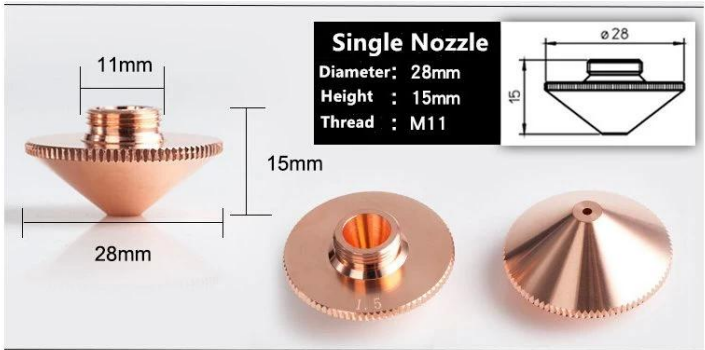
(3) □□□□ □□, □□ □□



Features

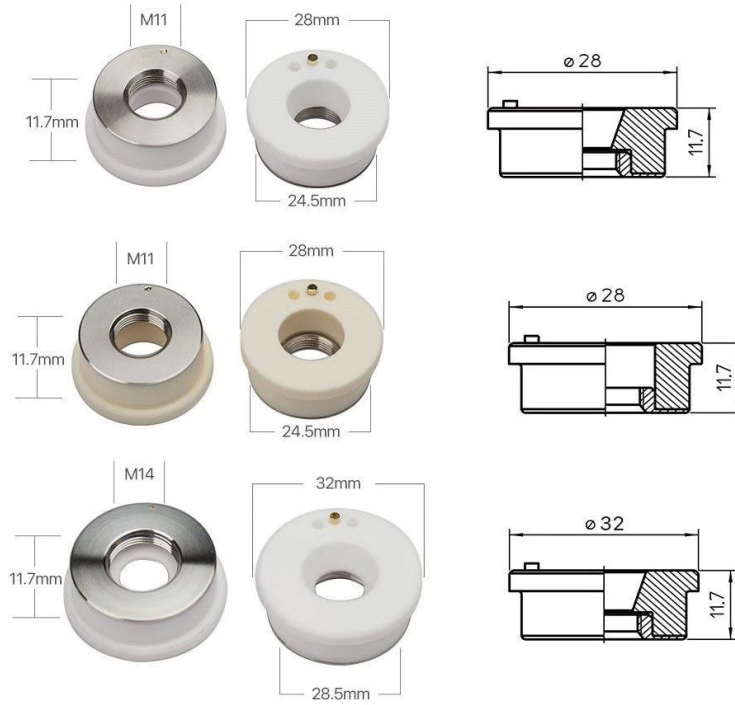
Complete specifications, Spot sale.
 Long life time, Not easy to crack, Not easily stained with ash.
 Low Loss Anti-reflectanc, High Efficiency.
 CNC milling and turning, drilling, grinding, tapping, high accuracy and small error.
 100% inspection before shipment, quality assurance.

Product Details





PRODUCT SPECIFICATIONS



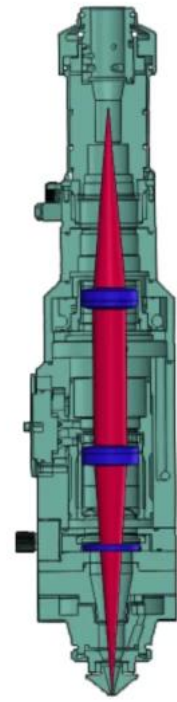
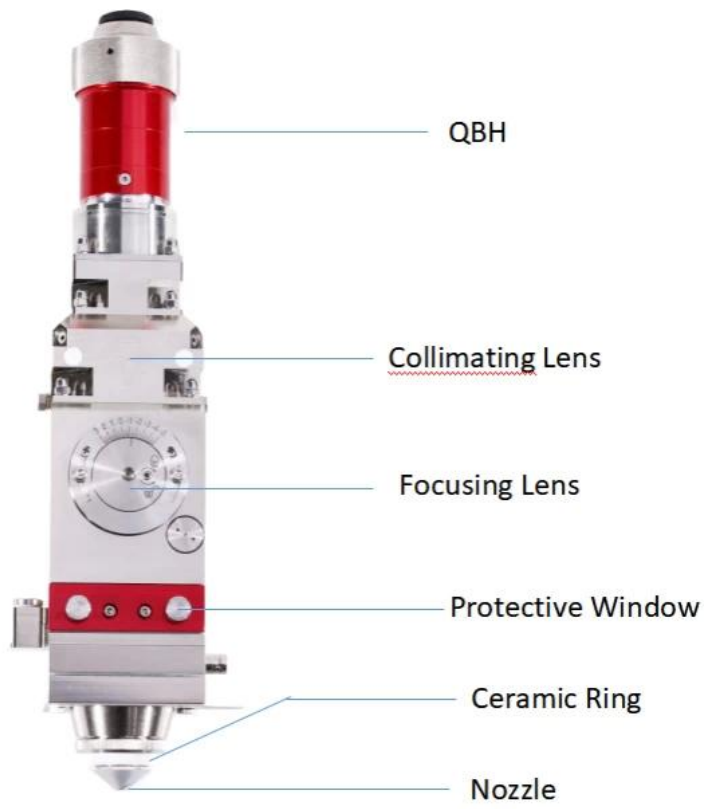
PACKAGING



□□ □□ □□ □□ □□ :

□□ (mm)	□□ (mm)	□□ (mm)	□□
28	15	□□	1.0 / 1.2 / 1.5 / 2.0 / 2.5 / 3.0 / 3.5 / 4.0 / 4.5 / 5.0
28	15	□□	1.0 / 1.2 / 1.5 / 2.0 / 2.5 / 3.0 / 3.5 / 4.0 / 4.5 / 5.0
32	15	□□	1.0 / 1.2 / 1.5 / 2.0 / 2.5 / 3.0 / 3.5 / 4.0 / 4.5 / 5.0
32	15	□□	1.0 / 1.2 / 1.5 / 2.0 / 2.5 / 3.0 / 3.5 / 4.0 / 4.5 / 5.0
10.7	22.2	□□	1.0 / 1.2 / 1.5 / 2.0 / 2.5 / 3.0 / 3.5 / 4.0
10.7	22.2	□□	1.0 / 1.2 / 1.5 / 2.0 / 2.5 / 3.0 / 3.5 / 4.0
11.4	16	/	0.8 / 1.0 / 1.2 / 1.5 / 2.0 / 2.5
15	19	□□	1.0 / 1.2 / 1.5 / 2.0 / 2.5 / 3.0
15	19	□□	0.8 / 1.0 / 1.2 / 1.5 / 1.8 / 2.0 / 2.5 / 3.0

□□ □□ □□ □□ □□ □□



光纤切割头光路示意图
Figure of Fiber Cutting Head



TRIOPTICS OptiSpheric 2000 AF
---Testing EFL, R, Centering Error, Wedge Angle, BFL, MTF



PerkinElmer Lambda 950---Testing Transmission and Reflectivity



Carmanhaas Coating Machine



Packaging & Shipping

Packaging 1



Packaging 2

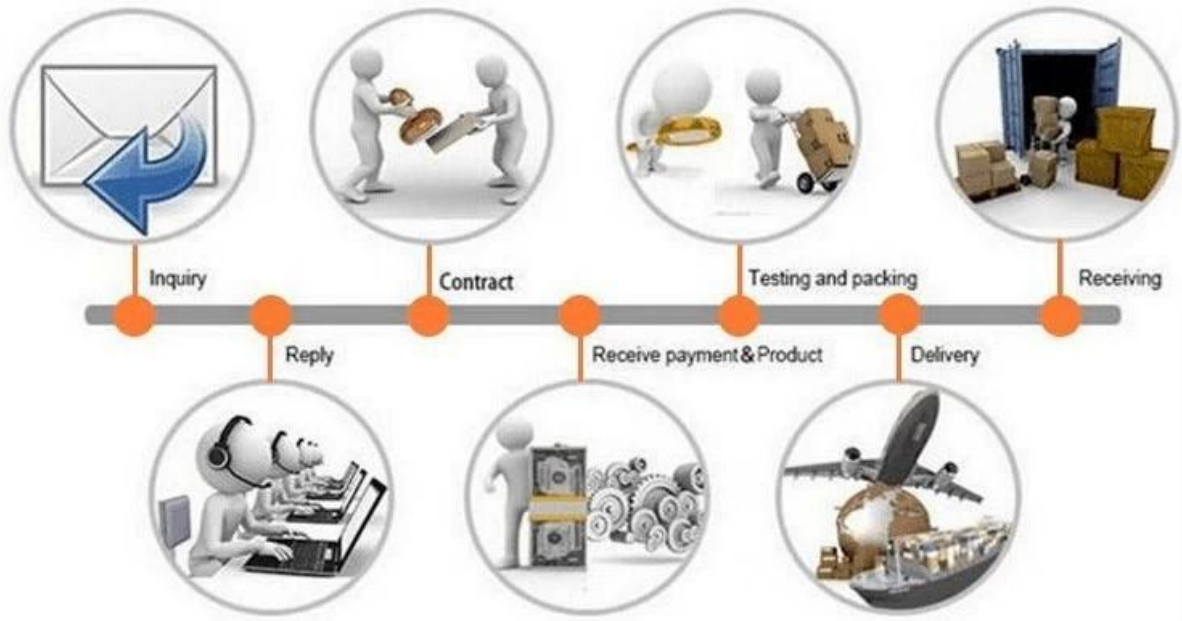


Packaging 3



Shipping 4





□□ □□ :

□□□ □□□ □□ :

