



□□□ □□□ □□ □□ □□ □□

□□ □□ :

□□□	
□□ □□	□□ □□□
□□ □□	+0.000"-0.005"
□□ □□	± 0.01"
□□ □□	40-20
□□ □□ : (Plano)	≤ 1 □

□□ □□ :

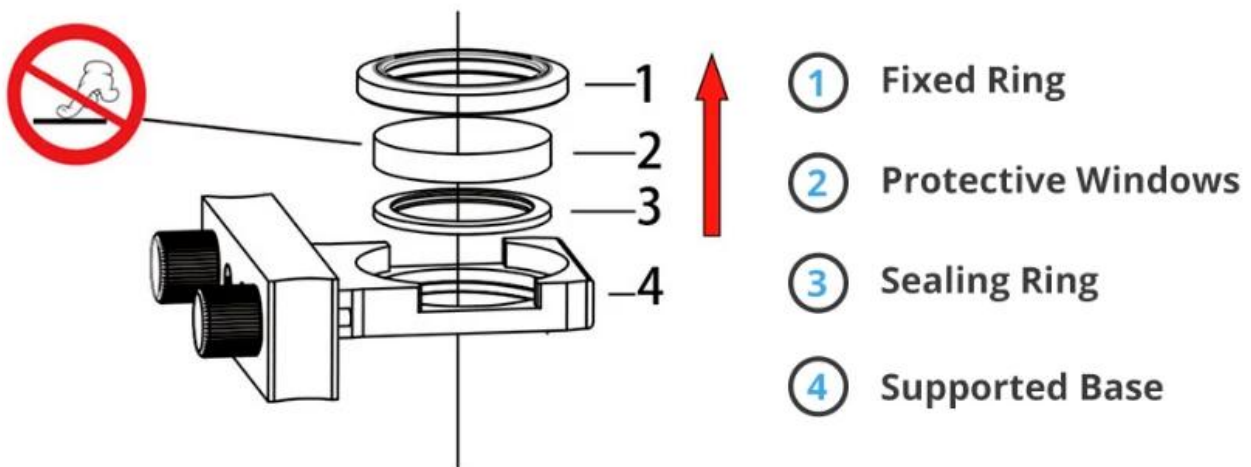
□□□	
□□ □□ AR □□	
□ □□	< 100PPM
□□□	> 99.9 %

□□ □□□ □□ □ :

□□ (mm)	□□ (mm)	□□
21.5	2	AR / AR @ 1030-1090nm

22.35	4	AR / AR @ 1030-1090nm
24.9	1.5	AR / AR @ 1030-1090nm
25.4	4	AR / AR @ 1030-1090nm
27.9	4.1	AR / AR @ 1030-1090nm
30	5	AR / AR @ 1030-1090nm
32	2	AR / AR @ 1030-1090nm
32	5	AR / AR @ 1030-1090nm
34	5	AR / AR @ 1030-1090nm
35	4	AR / AR @ 1030-1090nm
36	5	AR / AR @ 1030-1090nm
37	7	AR / AR @ 1030-1090nm
38	5	AR / AR @ 1030-1090nm
38.1	1.5	AR / AR @ 1030-1090nm
38.1	6.35	AR / AR @ 1030-1090nm
40	□	AR / AR @ 1030-1090nm
40	5	AR / AR @ 1030-1090nm
45	□	AR / AR @ 1030-1090nm

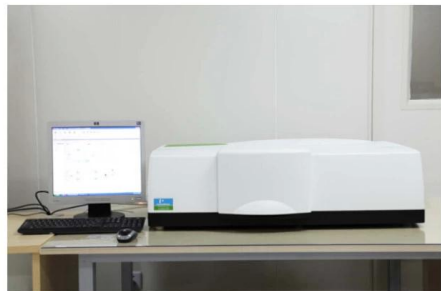
Installation Diagram



NOTICE: 1—3 Parts Should be taken out in the direction of the arrow, otherwise these parts will be damaged.



TRIOPTICS OptiSpheric 2000 AF
---Testing EFL, R, Centering Error, Wedge Angle, BFL, MTF



PerkinElmer Lambda 950---Testing Transmission and Reflectivity



Carmanhaas Coating Machine



Packaging & Shipping

Packaging 1



Packaging 2

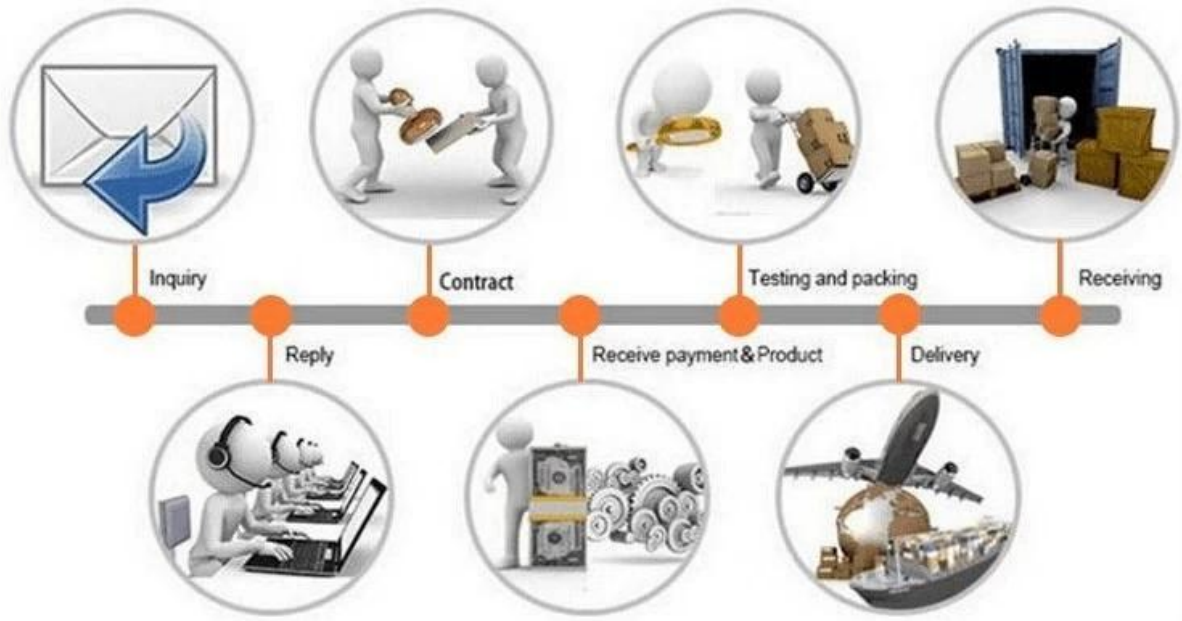


Packaging 3



Shipping 4





□□ □□ :

□□□ □□□ □□ :

