

□□ □□ :

Carmanhaas. [1064 □□ □□□ □□](#), □□□ □□ □□ 2D □□□ □□□ □□ □ □□, 3D □□□ □□□ □□ □ □□, □□□ □□□ □□ □□ □ □□, □□ □□ □ □□ □□ □□□□ □□□ □□□□.

Carmanhaas 2-Axis-Axis Galvanometer □□□ □□□ □□ (□□□) □ □□ □□□□ □□□□ □□□ □□ □□, □□□ □□, □□□ □□, □□□ □□□ □□□, 3D □□, □□□ □□, □□□ □□, □□ □□ □□ □□□ □□ □□□□□□□□. □□□□ □. ([□□ Gavlo □□□ □□](#))

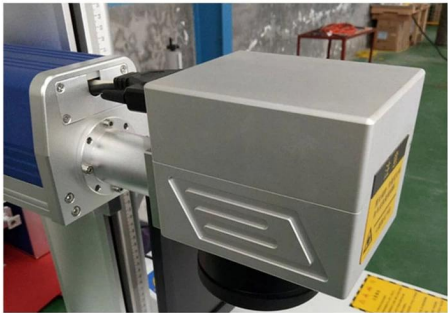
□□:

1. □□ : 7mm, 10mm, 12mm, 14mm, 16mm, 20mm, 30mm;
2. □□ □□□ □□, □□□□ □□ □□□□, □□□ □□□ □ □□ □□;
3. □□ □□□□ □□□□□□ □□ □□□□ □□ □□ □□ □□;
4. □□□ □ □ □□□ □□ □□□ □□□□□□□□ □□□ □ □□□□.
5. □□ □□ □□□□□□□□ □□ □□□□ □□□ □□□ □□ □□□□□□.

PRODUCT DETAILS

HIGH SPEED
GALVO LENS

SMALL SIZE, FRIENDLY INTERFACE
IN ORDER TO IMPROVE THE QUALITY OF EXPORT,
USE NEW TECHNOLOGY, NEW CRAFT, IN THE GALVO
LENS SCANNING SYSTEM; GRAPHIC IS GOOD, NO DISTORION ETC...



1064nm Galvo Scanner Head with Power Supply & DB25 cable



Optional Aperture:



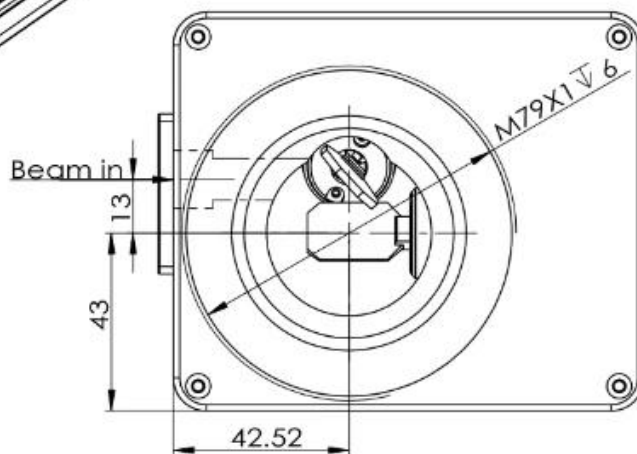
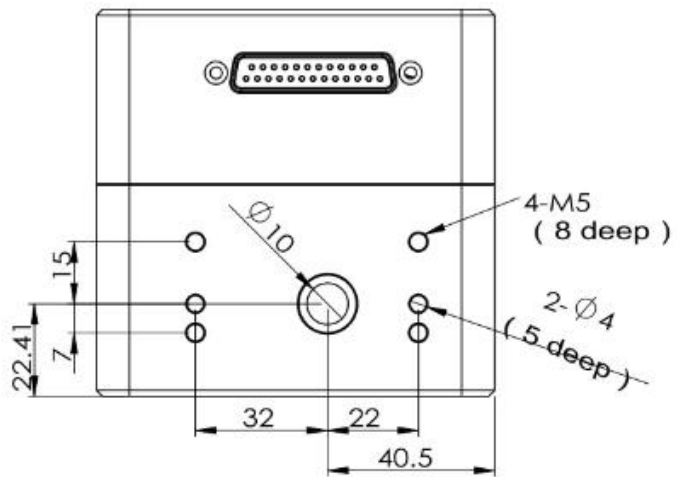
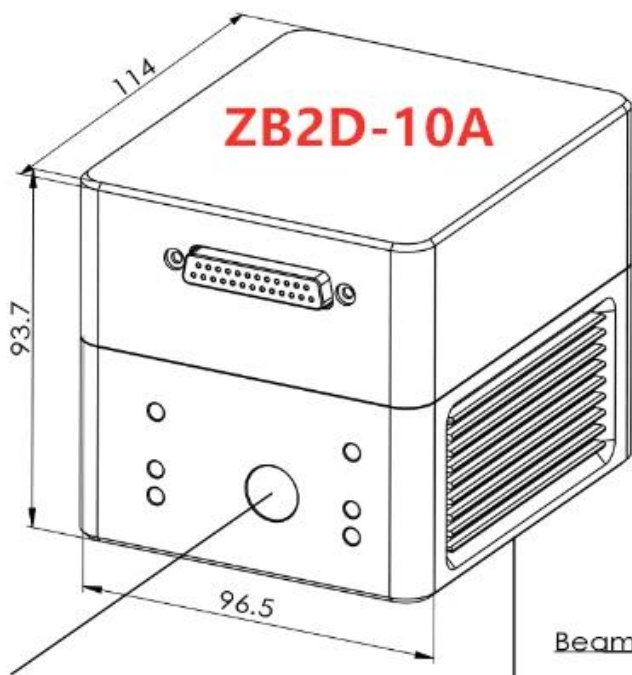
DB25 Cable

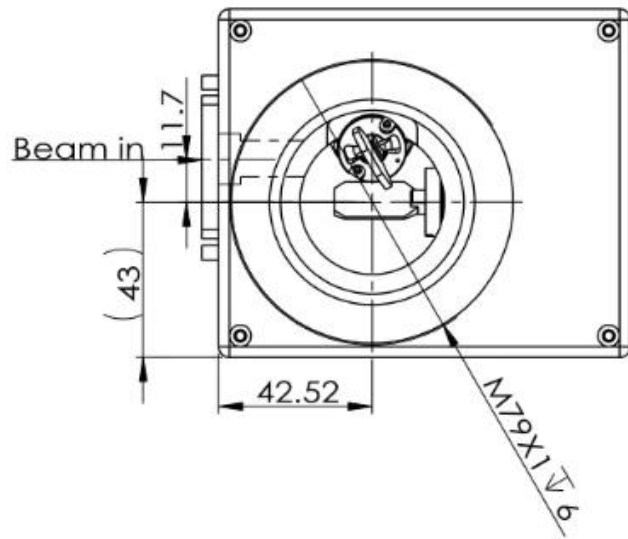
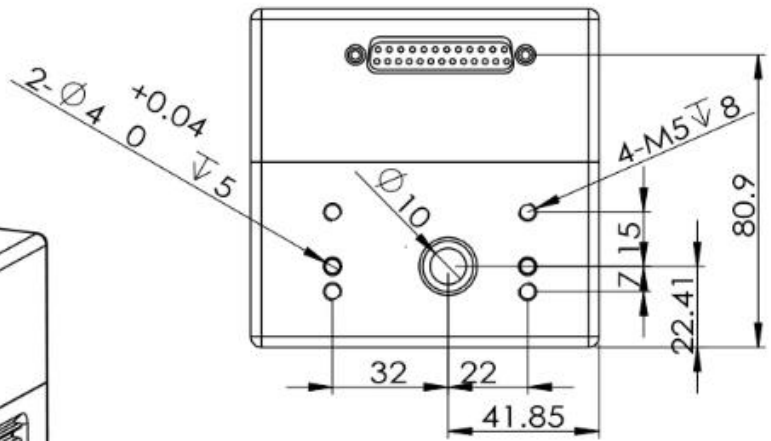
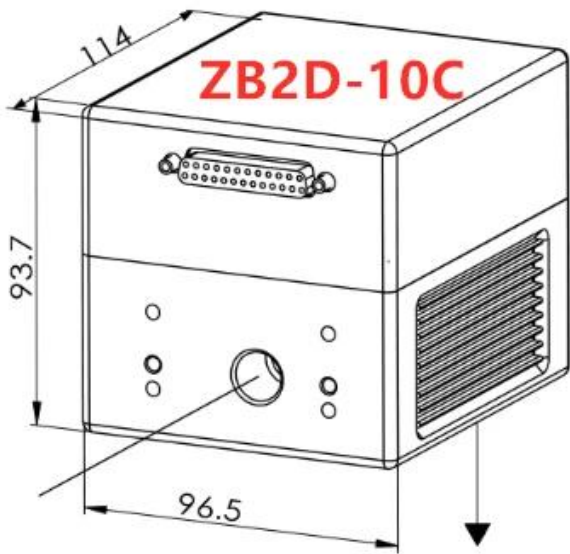
Switch Power Supply

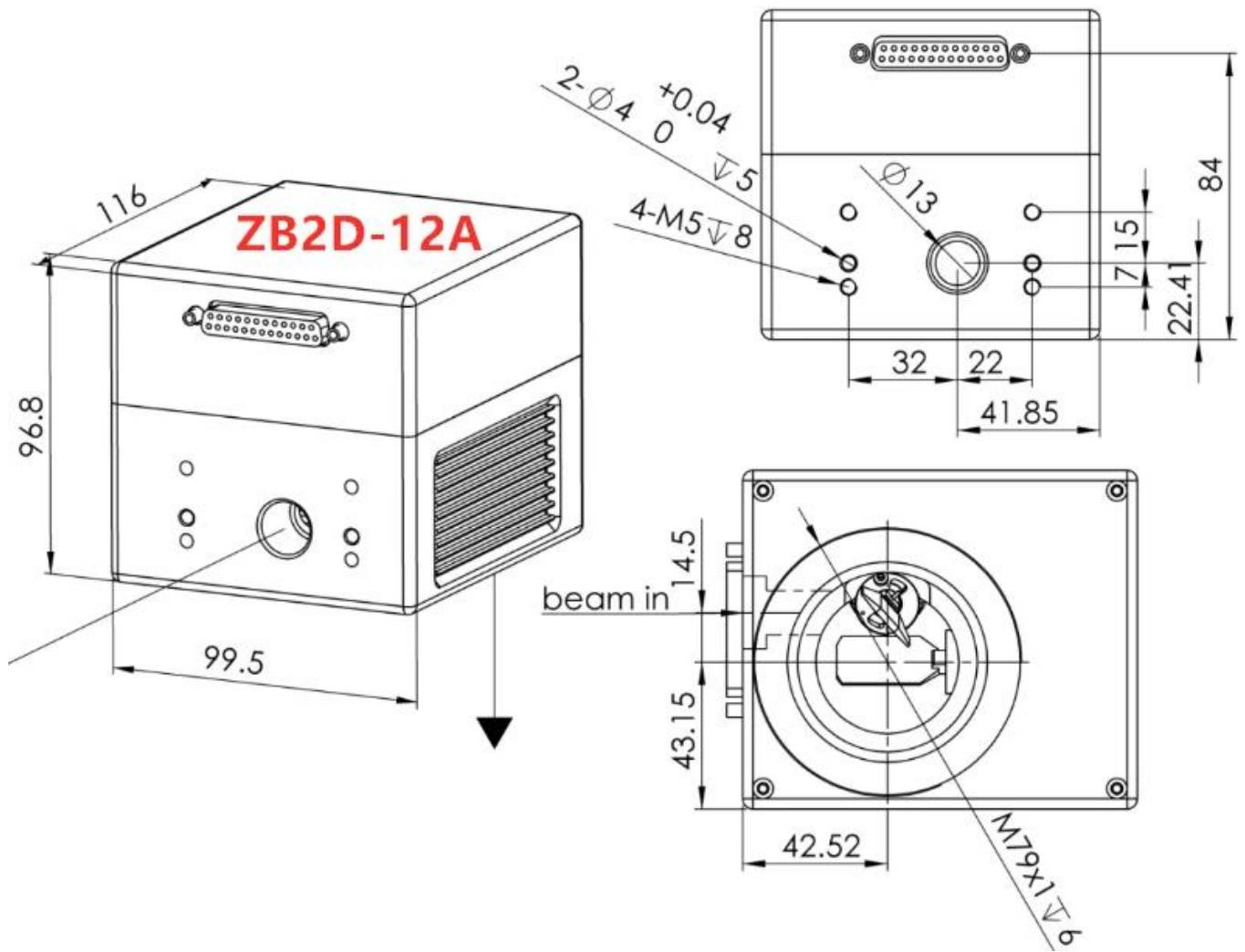
□□□ □ □□ □□ :

| Model | ZB2D-10A | ZB2D-10C | ZB2D-12A |
|--|--------------------|------------------|------------------|
| Aperture (mm) | 10 | 10 | 12 |
| Typical scan angle | ±0.35 rad | ±0.35 rad | ±0.35 rad |
| Nonlinearity | <0.5 mrad | <2 mrad | <0.5 mrad |
| Tracking error | 0.15ms | <0.2ms | 0.2ms |
| Step Response Time | <0.3ms | <0.4ms | <0.4ms |
| Repeatability | <15 urad | <20 urad | <15 urad |
| Gain drift | <50 ppm/K | <50 ppm/K | <50 ppm/K |
| Zero drift | <30 urad/K | <30 urad/K | <30 urad/K |
| Long-term drift over 8hours (After 30 min warm-up) | <0.1 mrad | <0.1 mrad | <0.1 mrad |
| Marking speed | 2.5m/s | 2m/s | 2m/s |
| Positioning speed | 15m/s | 10m/s | 10m/s |
| Power requirements | ±15VDC Max.5A | ±15VDC Max.3A | ±15VDC Max.5A |
| Digital Signal | XY2-100 | XY2-100 or SPI | XY2-100 or SPI |
| Analog Signal | ±5V | ±5V or ±10V | ±5V |
| Reflection wavelength | 1064nm/532nm/355nm | | 1064nm |
| Operating temperature | 25°C±10°C | 25°C±10°C | 25°C±10°C |

□□□ □□ (mm) :

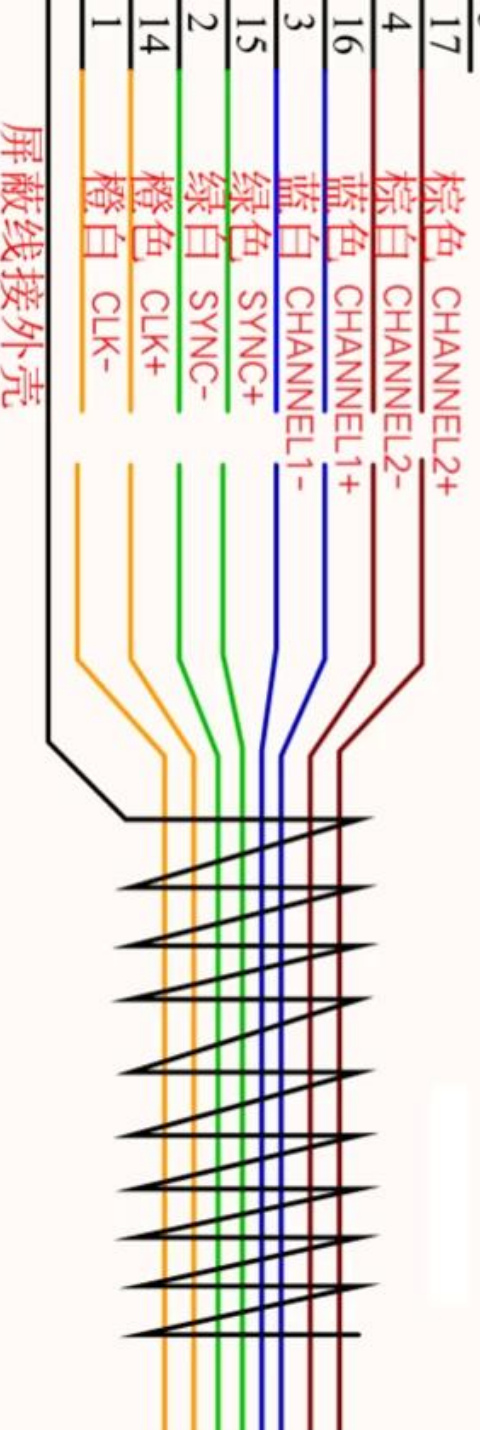
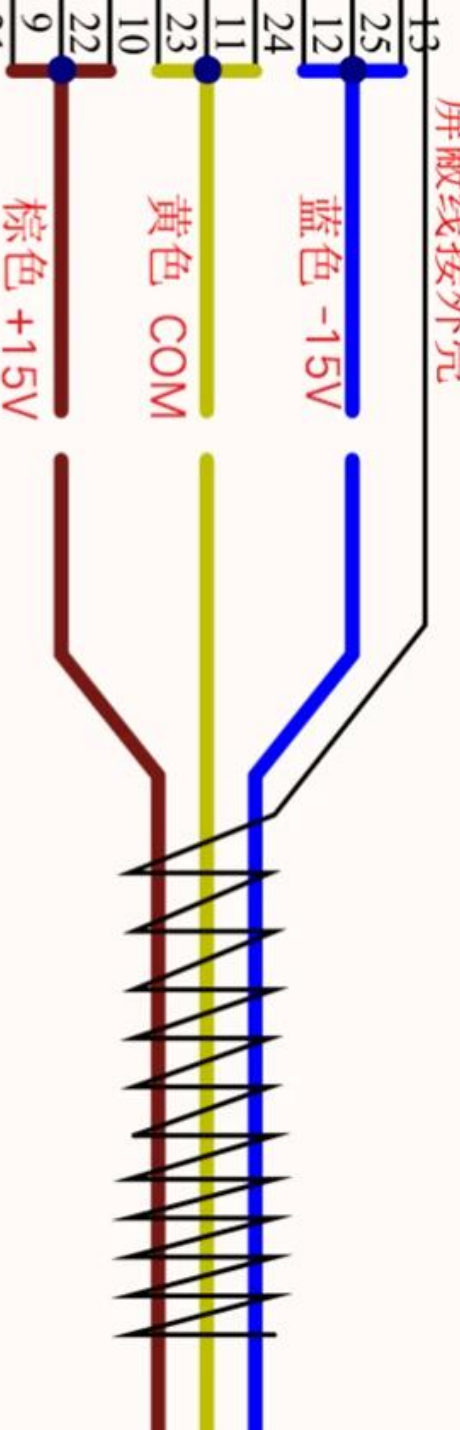




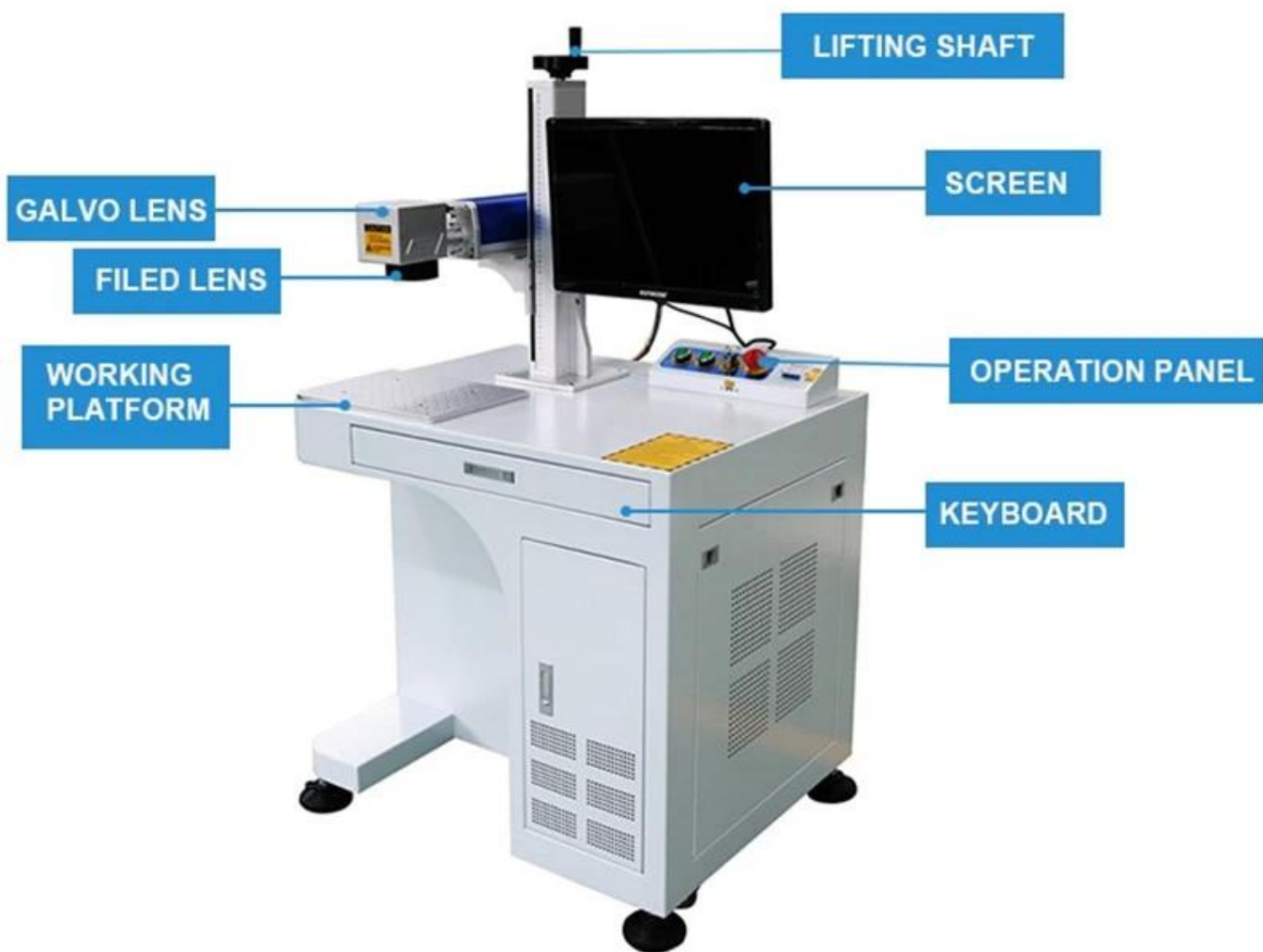


□ □ □ □ □ □ :

屏蔽线接外壳



屏蔽线接外壳





1064nm F Theta Scan Lenses



Marking Software JCZ EZCard

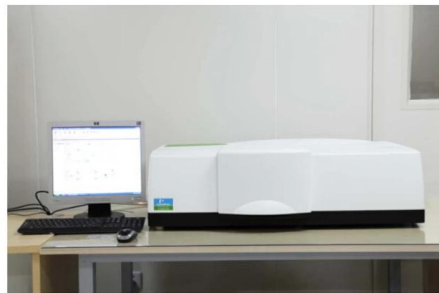


Fiber Marking Machine





TRIOPTICS OptiSpheric 2000 AF
---Testing EFL, R, Centering Error, Wedge Angle, BFL, MTF



PerkinElmer Lambda 950---Testing Transmission and Reflectivity

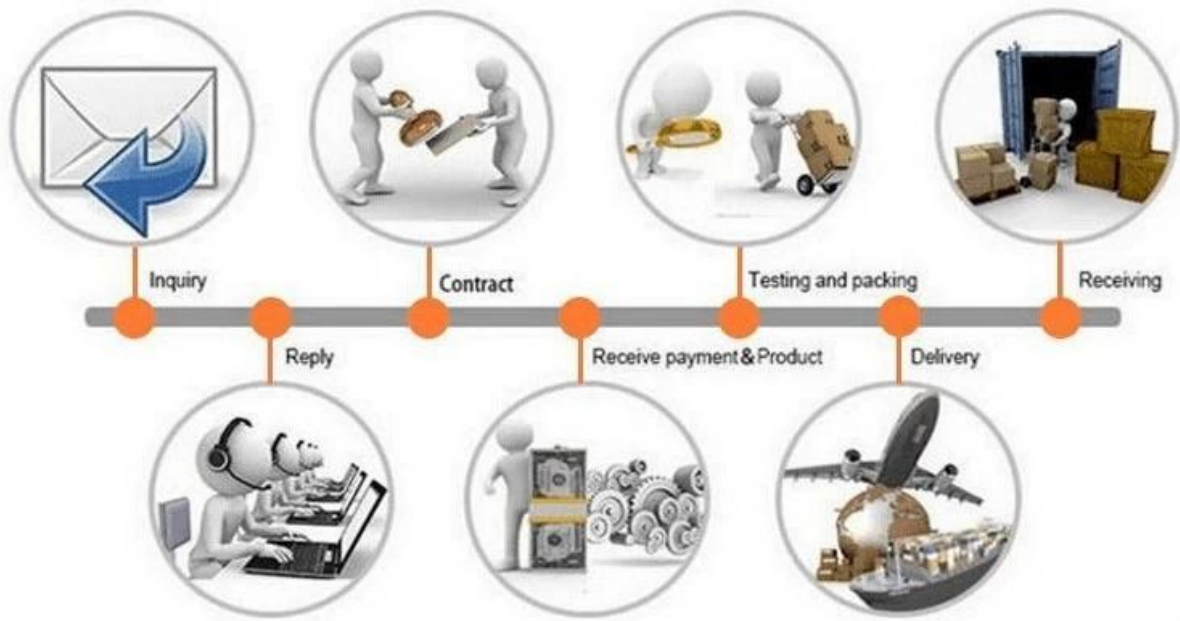


Carmanhaas Coating Machine



Product Packaging





□ □ :

□□□□□□.

