

Product Information

Product Description:

Galvo Head Laser Welding Factory China Carmanhaas galvo scanner has the good running stability, high positioning accuracy, fast marking speed, strong anti-interference ability, the overall performance of galvo head has reached the international leading level in this field. It can be applied in areas of high - speed welding, continuous welding and seal welding of relative products including mobile phone shield, metal cell phone enclosure, cellphone battery, phone shells, MP3, MP4 shells, micro motor, jewelry, circuit, sensors, watch, precise machinery, communication, handicraft, high - end cabinet, elevator accessories, high end furniture ,stainless jug and so on ,It is of high speed and accuracy.

Scanning laser system is suitable for the welding on titanium, nickel, tin, zinc, copper, aluminum, chrome, niobium, gold, silver, and their alloy. Also it is suitable for welding same materials like steel, kovar alloy, and different materials like copper - nickel, nickel - titanium, brass - copper, low carbon steel - copper.

Product Details



Scan Mirror

Galvo Scanner Motor



DB25 Interface

What's Included



Galvo Scanner



Power Supply



DB25 Cables

Features:

- 1.The highspeed scanning galvanometer is used to conduct laser positioning with the speed up to 4000mm/second.and the production efficiency is improved greatly.
- 2.The digital galvanometer interface with strong anti-interference and better stability.
- 3.The special control software with strong function which is easy to operate and compatible with a variety of formats of pictures and letters.
- 4.The high-power of cooling system ensures the continuous mass production.

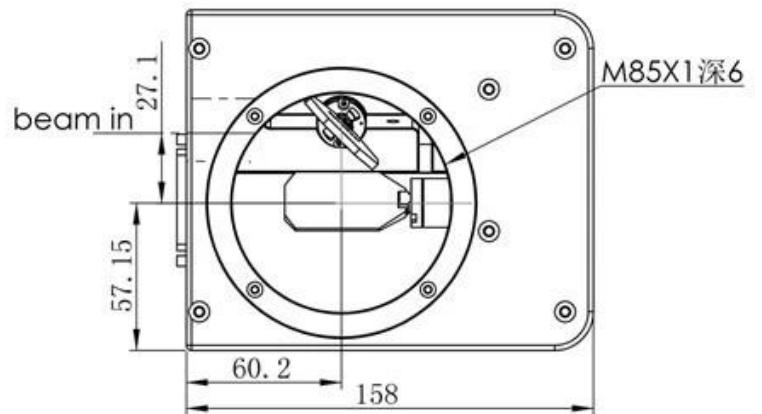
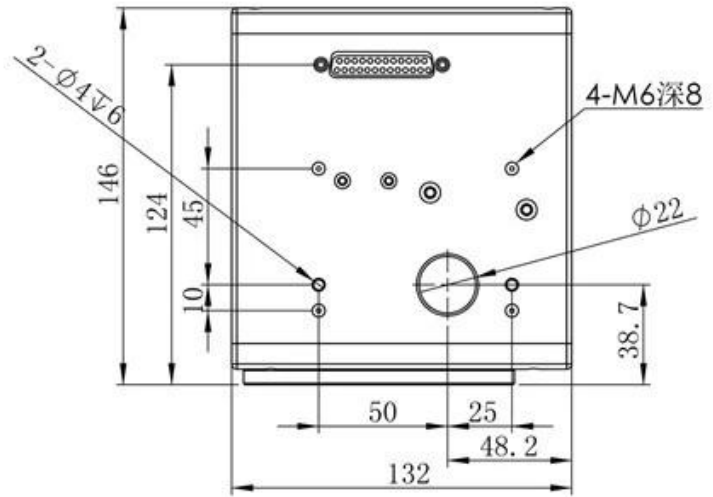
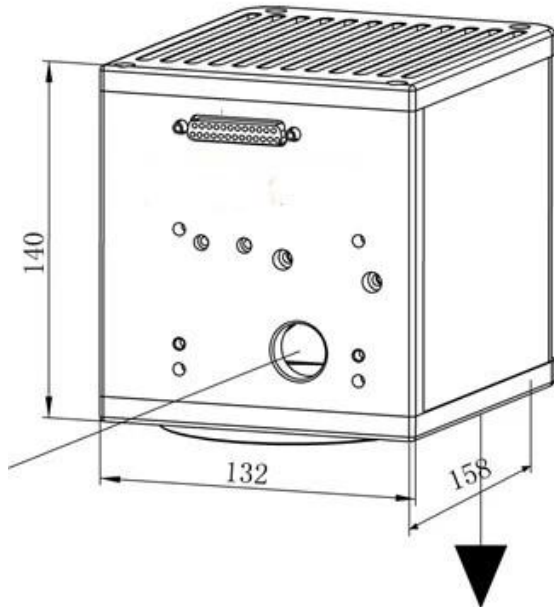
Click [Welding F-theta Lenses Factory China](#) to learn more

Technical Parameters:

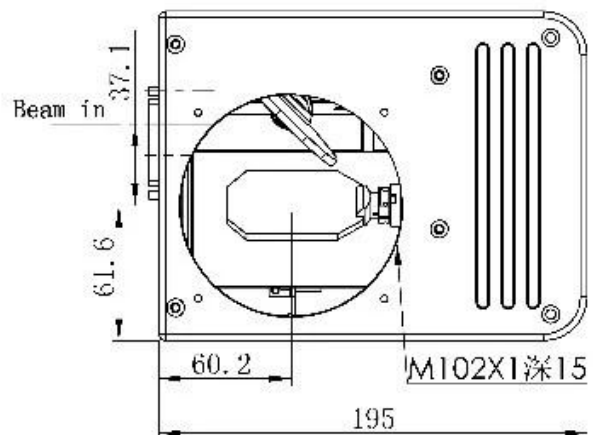
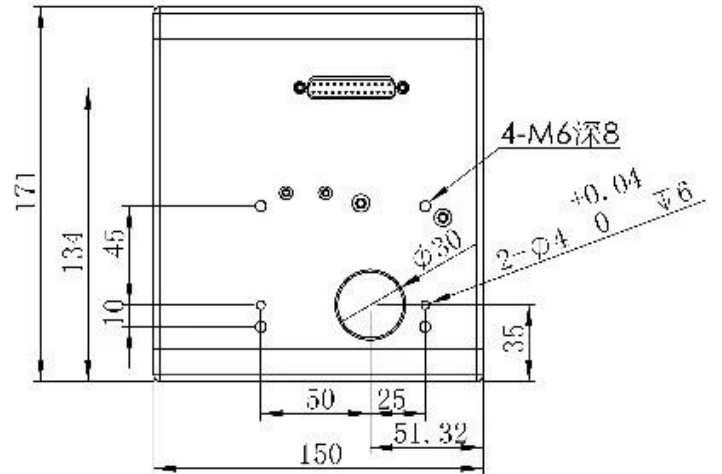
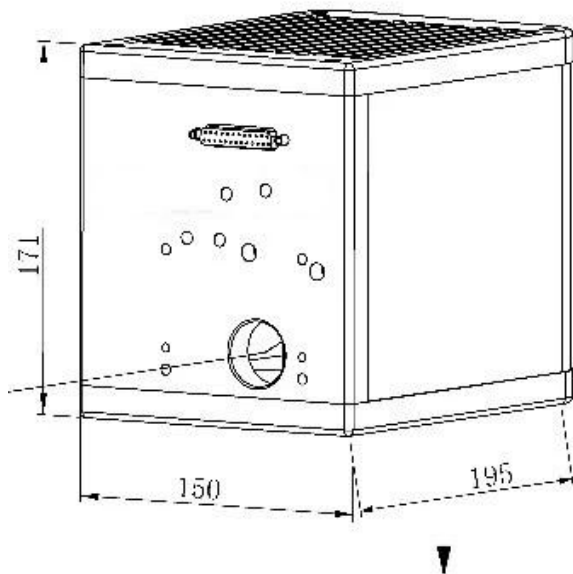
Model	20B	30B
Aperture (mm)	20	30
Typical scan angle	±0.35 rad	±0.35 rad
Nonlinearity	<0.5 mrad	<0.5 mrad
Tracking error	0.5ms	0.7ms
Repeatability	<15 urad	<15 urad
Gain drift	<50 ppm/K	<50 ppm/K
Zero drift	<15 urad/K	<15 urad/K
Long-term drift over 8hours□After 30 min warn-up□	<0.05 mrad	<0.05 mrad
Marking speed	1m/s	0.5m/s
Positioning speed	4m/s	2m/s
Power requirements	±15VDC Max.5A	±15VDC Max.5A
Digital Signal	XY2-100 or SPI	XY2-100 or SPI
Analog Signal	±5V	±5V or ±10V
Reflection wavelength	1064nm	
Operating temperature	25°C±10°C	25°C±10°C

Mechanical Dimensions(mm)□

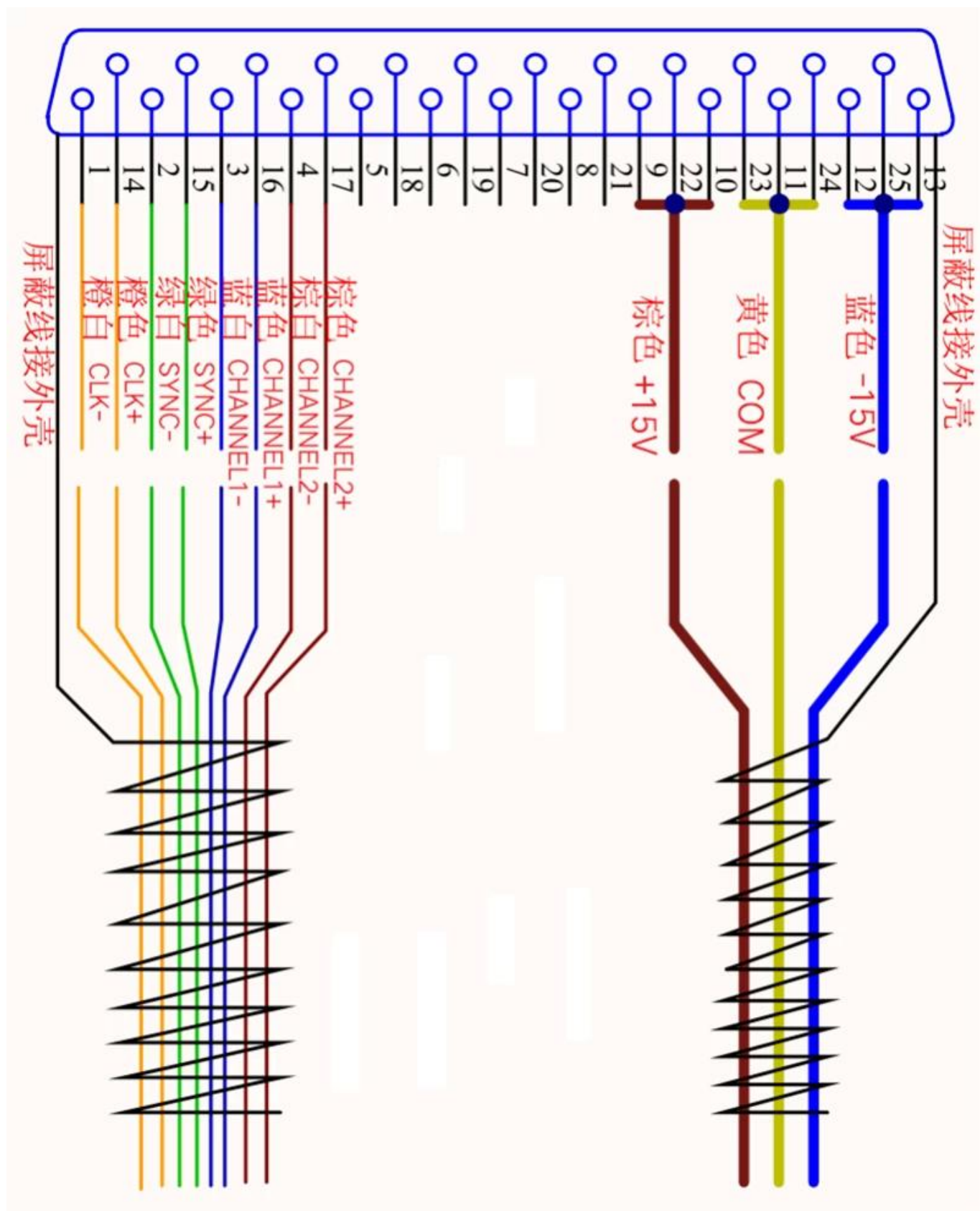
Model: 20B



Model: 30B



Electrical interface definition:



Galvo Laser Welder



Galvo Laser Welding Samples:



Aluminium Body Welding

Welding of Drive Parts

Welding of Power Battery

Factory







重要仪器,
非专业人士勿动。

OptiCentric 300

TRIOPTICS





PerkinElmer Lambda 950---Testing Transmission and Reflectivity



Certificate&Exhibition



C E R T I F I C A T E

ATTESTATION CERTIFICATE OF MACHINERY AND LOW VOLTAGE DIRECTIVES

Technical file of the company mentioned below has been observed and audit has been completed successfully. 2006/42/EC Machinery Directive and 2014/35/EU Low Voltage Directive have been taken as references for these processes

Company Name : **Camman HAAS Laser Technology (Suzhou) Co., Ltd.**

Company Address : No 155, West Road Suhong, Suzhou Industrial Park, Suzhou City, Jiangsu , P.R.China

Related Directives and Annex : **Low Voltage Directive 2014/35/EU
Machinery Directive 2006/42/EC**

Related Standards : **EN ISO 12100:2010; EN 60204-1:2006+A1:2009+AC:2010**

Product Name : **Laser Marking Machine**

Report No and Date : SD-90049717:09.08.2018

Product Brand/Model/Type : LMCH-3W,LMCH-5W,LMCH-10W,LMCH-15W,LMCH-20W,LMCH-25W,
LMCH-30W,LMCH-50W,LMCH-60W,LMCH-70W,LMCH-100W,
LMCH-120W,LMCH-150W,LMCH-200W,LMCH-300W,LMCH-500W

Certificate Number : **M.2018.201.N6073**

Initial Assessment Date : 10.08.2018

Registration Date : 13.08.2018

Reissue Date/No :

Expiry Date : **12.08.2023**

U. Bayraktar
UDM International Certification
Auditing Training Centre Industry
and Trade Inc. Co.



The validity of the certificate can be checked through www.udem.com.tr. The CE mark shown on the right can only be used under the responsibility of the manufacturer with the completion of EC Declaration of Conformity for all the relevant Directives. This certificate remains the property of UDEM International Certification Auditing Training Centre Industry and Trade Inc. Co. to whom it must be returned upon request. The above named firm must keep a copy of this certificate for 15 years from the registration of certificate. This certificate only covers the product(s) stated above and UDEM must be notified in case of any changes on the product(s)
Address: Mulkikent Mahallesi 2073 Sokak (Eski 93 Sokak) No:10 Çankaya - Ankara - TÜRKİYE
Phone: +90 0312 443 03 90 Fax: +90 0312 443 03 70
E-mail: info@udemtd.com.tr www.udem.com.tr



Certificate of Approval

Certificate No.: 10119Q12565ROM

Awarded to

**Carman Haas Laser Technology(SuZhou)
Co., Ltd.**

Organization Code Certificate No. / Unified Social Credit Code:91320594MA1MF4EP56
Add.:No.155, West Road Suhong, Suzhou Industrial Park, Suzhou City, Jiangsu Province, P.R. China. 215000

Beijing ZhongLian TianRun Certification Center (ZLTR) certify that the
Quality Management System of the above organization has been assessed and found to be
in accordance with the requirements of the standard:
GB/T19001-2016 / ISO9001:2015

SCOPE OF CERTIFICATION/REGISTRATION

The Research and Development and Production of Optics Lenses (Except the limits of national laws and regulations.)

This certificate is made valid when used with certification scopes and the requirements of applicable laws and regulations. These requirements include, but are not limited to, administrative permits, scopes of qualifications, and CCC requirements.

Subject to operation conditions in requirements conformity with Quality Management System,

This Certificate is valid for a period of three years only,

Date from: Mar 13th,2019 To: Mar 12th,2022

The effectiveness of this Certificate shall be Validated by periodic surveillance audit of ZLTR for maintenance.

Information of this certificate can be found on the official website of Beijing Zhonglian Tianrun Certification center (<http://www.zltr.com.cn>)



Beijing Zhongliantianrun Certification Center

Room2603, 22nd Floor, 2nd Unit, Block 1, No.4 Yard, Qiyang Road, Chaoyang District, Beijing, P.R. China 100102

Information of this certificate can be found on the official website of Certification and Accreditation Administration of the People's Republic of China (<http://www.cnca.gov.cn>)

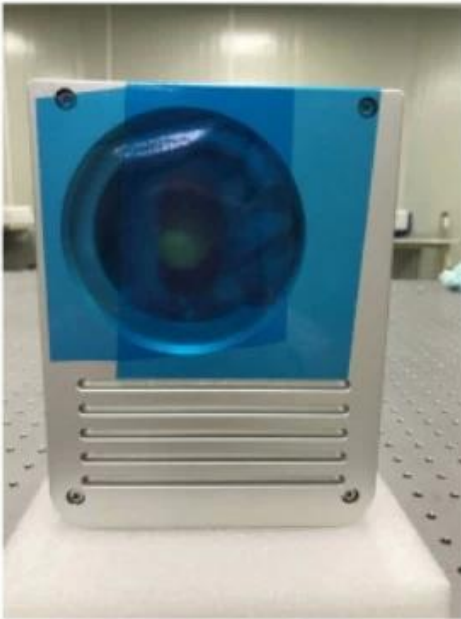
ISO 9001

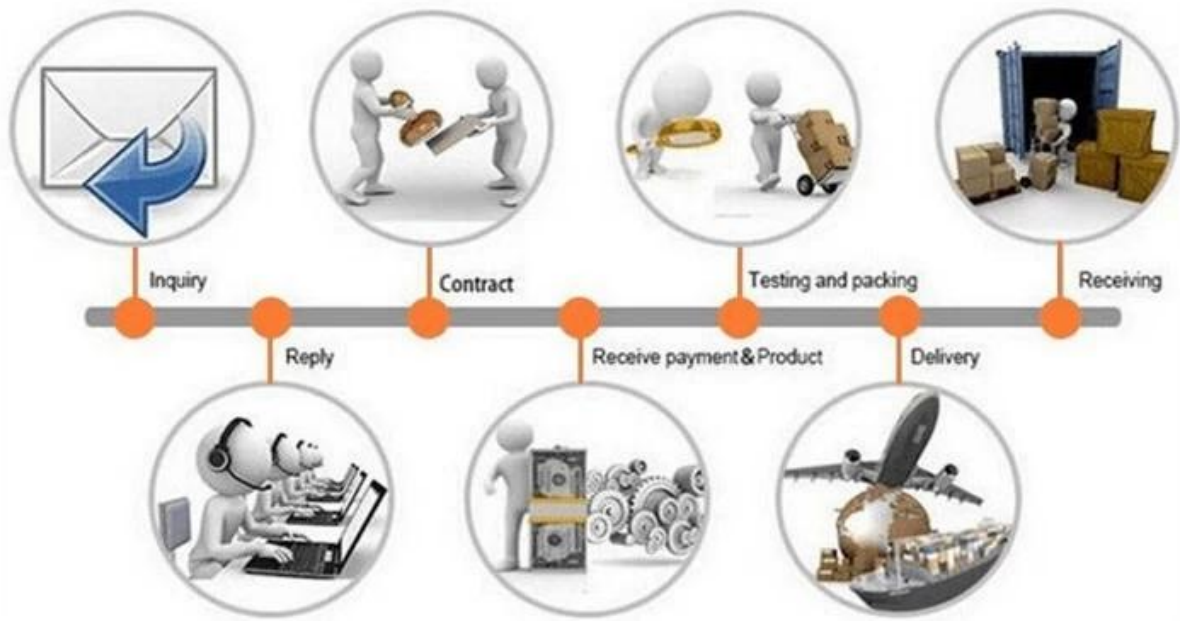
ISO 9001



Packing List

Packaging & Shipping





Return Policy:

Should returns be required:

- Step 1) Contact us with this website email.
- Step 2) Provide as much detail as possible about the problem you are having.
- Step 3) Authorization to return the item will be issued.
- Step 4) Return the item for the agreed replacement or refund.

Logistics:

(1)For Laser Optics order delivery,can be optional with DHL,UPS,FedEx,TNT,EMS,ets

(2)For Laser machine order delivery,can be optional with terms of EXWork FOB,CNF,CIF By Air or by Sea based on the buyer's forwarders or ours.

FAQ

Q1.Are you a manufacturer?

A1: Yes, we are professional and experienced manufacturer with our own molds and production lines.

Q2.How about quality of products?

A2: Our technicians and QC teams test the products one by one using aging line, professional devices and instruments to ensure the quality for all products.

Q3.How about price?

A3: We are a manufacturer and always offer our customers the most competitive prices.

Q4.How to place an order?

A4: Contact with online service, or sent email to us directly, we will reply to you with product price, specifications, packing etc. soon. Thank you.

Q5.May I send material to test marking performance?

A5: Yes! You are welcome to send material to test our superior quality and service.

Q6.Can I visit your factory?

A6: Yes, welcome to visit our factory at your convenient time.

Q7.How can I make OEM or ODM orders?

A7: We have different print processing for different OEM/ODM orders. Please contact us with online service or send email to us directly.

Q8. How should I pay for my orders?

A8: You can pay by T/T would be available for qualified bank and MOQ required for each order.