

# Product Description

---

**Precitec laser cutting head protective lens window** optical components supplied by Carmanhaas are used in various types of fiber laser cutting head, transmitting and focusing the beam output from the fiber to achieve the purpose of cutting the sheet.





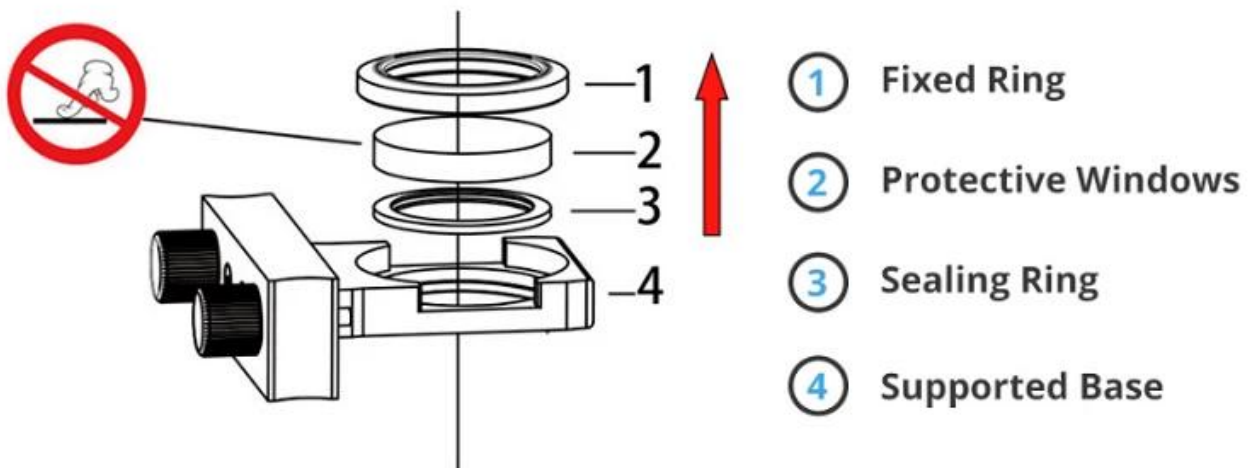
Click [Aspheric Fused Silica Focusing lens factory](#) for more lens information

**Fused Silica Window Specification:**

## Protective Window

Diameter(mm)	Thickness(mm)	Coating
21.5	2	AR/AR@1030-1090nm
24.9	1.5	AR/AR@1030-1090nm
32	2	AR/AR@1030-1090nm
38.1	1.5	AR/AR@1030-1090nm
22.35	4	AR/AR@1030-1090nm
25.4	4	AR/AR@1030-1090nm
27.9	4	AR/AR@1030-1090nm
30	5	AR/AR@1030-1090nm
32	5	AR/AR@1030-1090nm
37	7	AR/AR@1030-1090nm
38.1	6.35	AR/AR@1030-1090nm

## Installation Diagram



**NOTICE:** 1—3 Parts Should be taken out in the direction of the arrow, otherwise these parts will be damaged.

Factory Information

---











重要仪器,  
非专业人士勿动。

OptiCentric 300

TRIOPTICS





PerkinElmer Lambda 950---Testing Transmission and Reflectivity



# Certificate & Exhibition

---





# CERTIFICATE

## ATTESTATION CERTIFICATE OF MACHINERY AND LOW VOLTAGE DIRECTIVES

Technical file of the company mentioned below has been observed and audit has been completed successfully. 2006/42/EC Machinery Directive and 2014/35/EU Low Voltage Directive have been taken as references for these processes

Company Name : **Camman HAAS Laser Technology (Suzhou) Co., Ltd.**

Company Address : No 155, West Road Suhong, Suzhou Industrial Park, Suzhou City, Jiangsu , P.R.China

Related Directives and Annex : **Low Voltage Directive 2014/35/EU  
Machinery Directive 2006/42/EC**

Related Standards : **EN ISO 12100:2010; EN 60204-1:2006+A1:2009+AC:2010**

Product Name : **Laser Marking Machine**

Report No and Date : SD-90049717:09.08.2018

Product Brand/Model/Type : LMCH-3W,LMCH-5W,LMCH-10W,LMCH-15W,LMCH-20W,LMCH-25W,  
LMCH-30W,LMCH-50W,LMCH-60W,LMCH-70W,LMCH-100W,  
LMCH-120W,LMCH-150W,LMCH-200W,LMCH-300W,LMCH-500W

Certificate Number : **M.2018.201.N6073**

Initial Assessment Date : 10.08.2018

Registration Date : 13.08.2018

Reissue Date/No :

Expiry Date : **12.08.2023**

  
UDEM International Certification  
Auditing Training Centre Industry  
and Trade Inc. Co.

The validity of the certificate can be checked through [www.udem.com.tr](http://www.udem.com.tr). The CE mark shown on the right can only be used under the responsibility of the manufacturer with the completion of EC Declaration of Conformity for all the relevant Directives. This certificate remains the property of UDEM International Certification Auditing Training Centre Industry and Trade Inc. Co. to whom it must be returned upon request. The above named firm must keep a copy of this certificate for 15 years from the registration of certificate. This certificate only covers the product(s) stated above and UDEM must be noticed in case of any changes on the product(s)  
Address: Mulkikent Mahallesi 2073 Sokak (Eski 93 Sokak) No:10 Çankaya - Ankara - TÜRKİYE  
Phone: +90 0312 443 03 90 Fax: +90 0312 443 03 70  
E-mail: info@udemtd.com.tr www.udem.com.tr



## Certificate of Approval

Certificate No.: 10119Q12565ROM

Awarded to

**Carman Haas Laser Technology(SuZhou)  
Co., Ltd.**

Organization Code Certificate No. / Unified Social Credit Code:91320594M1MF4EP56  
Add.:No.155, West Road Suhong, Suzhou Industrial Park, Suzhou City, Jiangsu Province, P.R. China. 215000

Beijing ZhongLian TianRun Certification Center (ZLTR) certify that the  
Quality Management System of the above organization has been assessed and found to be  
in accordance with the requirements of the standard:  
**GB/T19001-2016 / ISO9001:2015**

SCOPE OF CERTIFICATION/REGISTRATION  
The Research and Development and Production of Optics Lenses (Except the limits of  
national laws and regulations.)

This certificate is made valid when used with certification scopes and the requirements of applicable  
laws and regulations. These requirements include, but are not limited to, administrative permits,  
scopes of qualifications, and CCC requirements.

Subject to operation conditions in requirements conformity with Quality Management System,

This Certificate is valid for a period of three years only,  
Date from: Mar 13th,2019 To: Mar 12th,2022

The effectiveness of this Certificate shall be Validated by periodic surveillance audit  
of ZLTR for maintenance.

Information of this certificate can be found on the official website of Beijing Zhonglian Tianrun  
Certification center (<http://www.zltr.com.cn>)



Beijing Zhongliantianrun Certification Center

Room2603, 22nd Floor, 2nd Unit, Block 1, No.4 Yard, Qiyang Road, Chaoyang District, Beijing, P.R. China 100102

Information of this certificate can be found on the official website of Certification and Accreditation Administration of the People's Republic of China (<http://www.cnca.gov.cn>)

ISO 9001

ISO 9001



## Packing & Shipping

---

# Packaging & Shipping

## Packaging 1



## Packaging 2



## Packaging 3



## Shipping 4



Return Policy:

Should returns be required:

Step 1) Contact us with this website email.

Step 2) Provide as much detail as possible about the problem you are having.

Step 3) Authorization to return the item will be issued.

Step 4) Return the item for the agreed replacement or refund.

## **Logistics:**

(1)For Laser Optics order delivery,can be optional with DHL,UPS,FedEx,TNT,EMS,ets

(2)For Laser machine order delivery,can be optional with terms of EXWork FOB,CNF,CIF By Air or by Sea based on the buyer's forwarders or ours.

## **FAQ**

---

### **Q1.Are you a manufacturer?**

A1: Yes, we are professional and experienced manufacturer with our own molds and production lines.

### **Q2.How about quality of products?**

A2: Our technicians and QC teams test the products one by one using aging line, professional devices and instruments to ensure the quality for all products.

### **Q3.How about price?**

A3: We are a manufacturer and always offer our customers the most competitive prices.

### **Q4.How to place an order?**

A4: Contact with online service, or sent email to us directly, we will reply to you with product price, specifications, packing etc. soon. Thank you.

### **Q5.May I send material to test marking performance?**

A5: Yes! You are welcome to send material to test our superior quality and service.

### **Q6.Can I visit your factory?**

A6: Yes, welcome to visit our factory at your convenient time.

### **Q7.How can I make OEM or ODM orders?**

A7: We have different print processing for different OEM/ODM orders. Please contact us with online service or send email to us directly.

### **Q8. How should I pay for my orders?**

A8: You can pay by T/T would be available for qualified bank and MOQ required for each order.