

Product Information

Product Description:

Laser Ceramics for Fiber Cutting Head([Fiber laser cutting nozzle manufacturer china](#))

Type A:

28mm (OEM Precitec P0571-1051-00001)

Outside Diameter: 28/24.5mm Thickness: 12mm

Type B:

28mm(OEM Precitec P0571-260-00001)

Outside Diameter: 28/24.5mm Thickness: 12mm

Type C:

32mm(OEM Raytools BT240/BM109)

Outside Diameter: 32/28.5mm Thickness: 12mm

Product Features:

Imported Ceramics, effective insulation, long life

High quality special alloy, good conductivity, high sensitivity

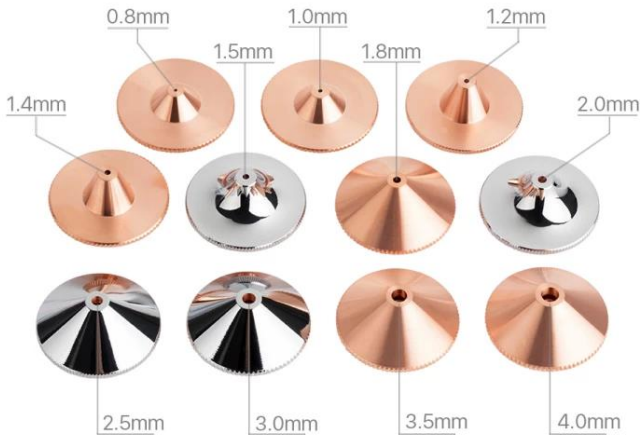
Smooth lines, high insulation



Features

Complete specifications, Spot sale.
 Long life time, Not easy to crack, Not easily stained with ash.
 Low Loss Anti-reflectanc, High Efficiency.
 CNC milling and turning, drilling, grinding, tapping, high accuracy and small error.
 100% inspection before shipment, quality assurance.

Product Details



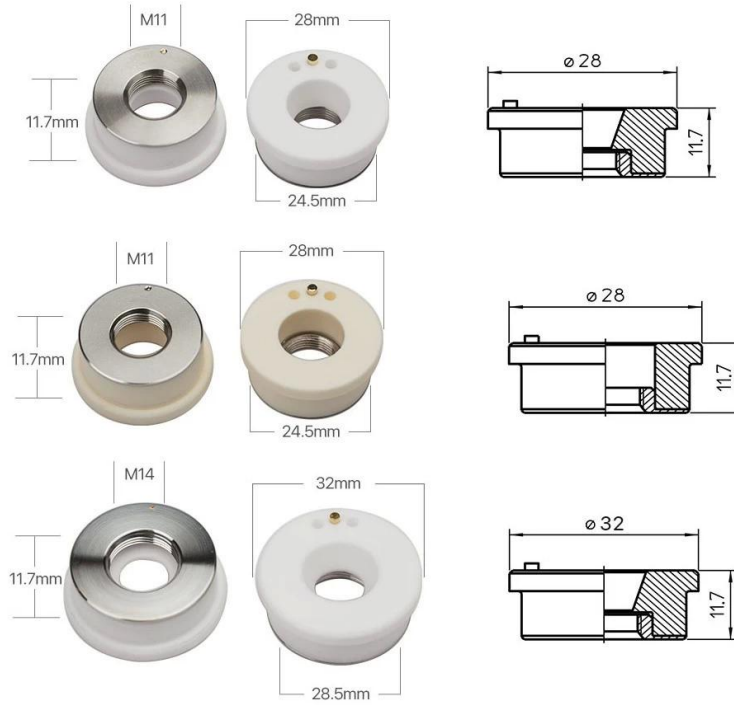
Single Nozzle
 Diameter: 28mm
 Height : 15mm
 Thread : M11

Double Nozzle
 Diameter : 32mm
 Height : 15mm
 Thread : M14





PRODUCT SPECIFICATIONS

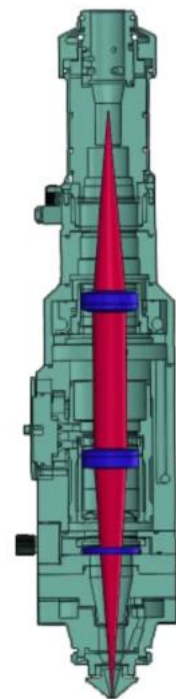


PACKAGING



Fiber Laser Cutting Head Nozzle:

Diameter(mm)	Height(mm)	Layer	Aperture(mm)
28	15	Double	1.0/1.2/1.5/2.0/2.5/3.0/3.5/4.0/4.5/5.0
28	15	Single	1.0/1.2/1.5/2.0/2.5/3.0/3.5/4.0/4.5/5.0
32	15	Double	1.0/1.2/1.5/2.0/2.5/3.0/3.5/4.0/4.5/5.0
32	15	Single	1.0/1.2/1.5/2.0/2.5/3.0/3.5/4.0/4.5/5.0
10.7	22.2	Double	1.0/1.2/1.5/2.0/2.5/3.0/3.5/4.0
10.7	22.2	Single	1.0/1.2/1.5/2.0/2.5/3.0/3.5/4.0
11.4	16	/	0.8/1.0/1.2/1.5/2.0/2.5
15	19	Double	1.0/1.2/1.5/2.0/2.5/3.0
15	19	single	0.8/1.0/1.2/1.5/1.8/2.0/2.5/3.0



光纤切割头光路示意图
Figure of Fiber Cutting Head

Factory



TRIOPTICS OptiSpheric 2000 AF
---Testing EFL, R, Centering Error, Wedge Angle, BFL, MTF



PerkinElmer Lambda 950---Testing Transmission and Reflectivity



Carmanhaas Coating Machine

Certificate&Exhibition



Packing List

Packaging & Shipping

Packaging 1



Packaging 2

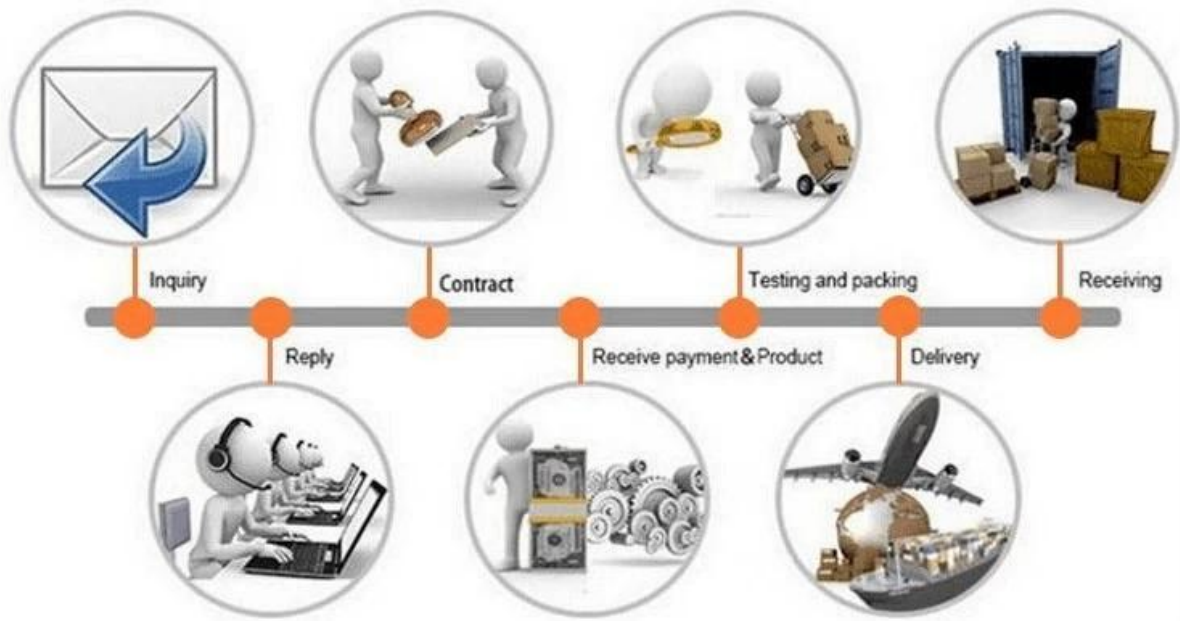


Packaging 3



Shipping 4





Return Policy:

Should returns be required:

Step 1) Contact us with this website email.

Step 2) Provide as much detail as possible about the problem you are having.

Step 3) Authorization to return the item will be issued.

Step 4) Return the item for the agreed replacement or refund.

Logistics:

(1)For Laser Optics order delivery,can be optional with DHL,UPS,FedEx,TNT,EMS etc

(2)For Laser machine order delivery,can be optional with terms of EXWork,FOB,CNF,CIF By Air or by Sea based on the buyer's forwarders or ours.

FAQ

Q1.Are you a manufacturer?

A1: Yes, we are professional and experienced manufacturer with our own molds and production lines.

Q2.How about quality of products?

A2: Our technicians and QC teams test the products one by one using aging line, professional devices and instruments to ensure the quality for all products.

Q3.How about price?

A3: We are a manufacturer and always offer our customers the most competitive prices.

Q4.How to place an order?

A4: Contact with online service, or sent email to us directly, we will reply to you with product price, specifications, packing etc. soon. Thank you.

Q5.May I send material to test marking performance?

A5: Yes! You are welcome to send material to test our superior quality and service.

Q6.Can I visit your factory?

A6: Yes, welcome to visit our factory at your convenient time.

Q7.How can I make OEM or ODM orders?

A7: We have different print processing for different OEM/ODM orders. Please contact us with online service or send email to us directly.

Q8. How should I pay for my orders?

A8: You can pay by T/T would be available for qualified bank and MOQ required for each order.

