

## Product Information

### Product Description:

[Raytool head window supplier china](#), Carmanhaas Fiber cutting optical components are used in various types of fiber laser cutting head, transmitting and focusing the beam output from the fiber to achieve the purpose of cutting the sheet.

### Product Features:

- (1) Imported ultra low absorption quartz material
- (2) Surface accuracy:  $\lambda/5$
- (3) Power usage: Up to 15000W
- (4) Ultra-low absorption coating, absorption rate <20ppm, long life time
- (5) Aspherical surface finish accuracy up to 0.2 $\mu$ m



### Manufacturing Capabilities:

Specifications	
Substrate Material	Fused Silica
Dimensional Tolerance	+0.000"-0.005"
Thickness Tolerance	±0.01"
Surface Quality	40-20
Parallelism:(Plano)	≤ 1 arc minutes

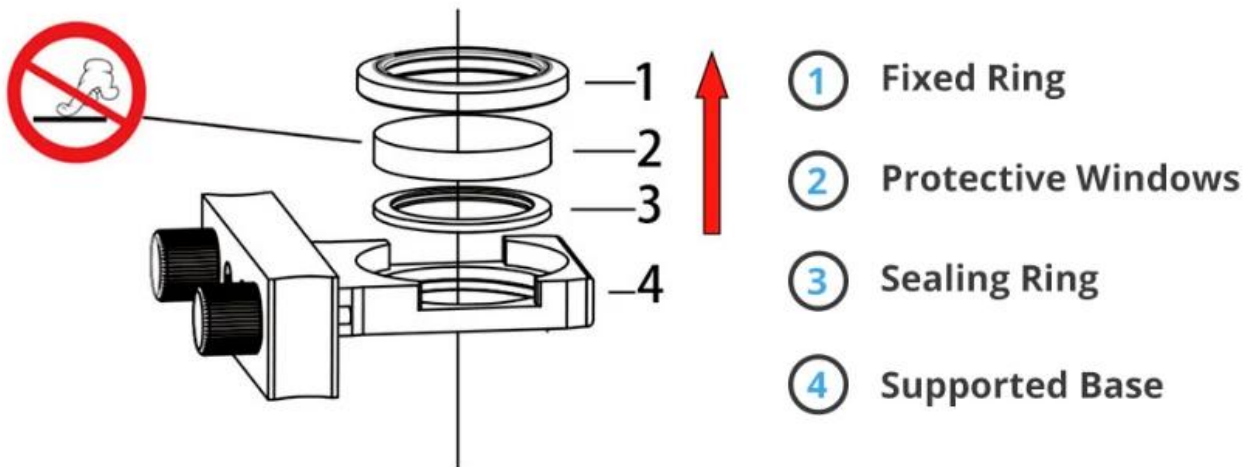
### Coating Capabilities:

Specifications	
Standard Both Sides AR coating	
Total absorption	< 100PPM
Transmittance	>99.9%

### Fused Silica Protective Window:

Diameter(mm)	Thickness(mm)	Coating
21.5	2	AR/AR @ 1030-1090nm
24.9	1.5	AR/AR @ 1030-1090nm
32	2	AR/AR @ 1030-1090nm
38.1	1.5	AR/AR @ 1030-1090nm
22.35	4	AR/AR @ 1030-1090nm
25.4	4	AR/AR @ 1030-1090nm
27.9	4.1	AR/AR @ 1030-1090nm
30	5	AR/AR @ 1030-1090nm
32	5	AR/AR @ 1030-1090nm
37	7	AR/AR @ 1030-1090nm
38.1	6.35	AR/AR @ 1030-1090nm

# Installation Diagram



**NOTICE:** 1—3 Parts Should be taken out in the direction of the arrow, otherwise these parts will be damaged.

Factory



**TRIOPTICS OptiSpheric 2000 AF**  
---Testing EFL, R, Centering Error, Wedge Angle, BFL, MTF



**PerkinElmer Lambda 950**---Testing Transmission and Reflectivity



**Carmanhaas Coating Machine**

# Certificate&Exhibition



# Packing List



# Packaging & Shipping

## Packaging 1



## Packaging 2

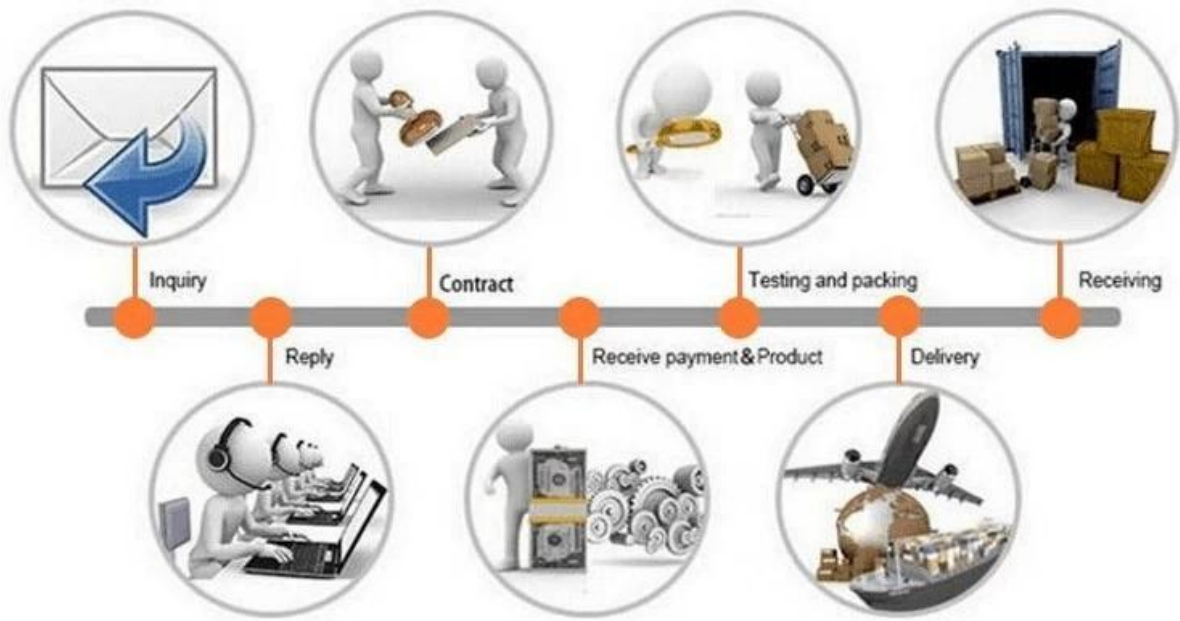


## Packaging 3



## Shipping 4





**Return Policy:**



Should returns be required:

Step 1) Contact us with this website email.

Step 2) Provide as much detail as possible about the problem you are having.

Step 3) Authorization to return the item will be issued.

Step 4) Return the item for the agreed replacement or refund.

### **Logistics:**

(1)For Laser Optics order delivery,can be optional with DHL,UPS,FedEx,TNT,EMS etc

(2)For Laser machine order delivery,can be optional with terms of EXWork,FOB,CNF,CIF By Air or by Sea based on the buyer's forwarders or ours.

## FAQ

Q1.Are you a manufacturer?

A1: Yes, we are professional and experienced manufacturer with our own molds and production lines.

Q2.How about quality of products?

A2: Our technicians and QC teams test the products one by one using aging line, professional devices and instruments to ensure the quality for all products.

Q3.How about price?

A3: We are a manufacturer and always offer our customers the most competitive prices.

Q4.How to place an order?

A4: Contact with online service, or sent email to us directly, we will reply to you with product price, specifications, packing etc. soon. Thank you.

Q5.May I send material to test marking performance?

A5: Yes! You are welcome to send material to test our superior quality and service.

Q6.Can I visit your factory?

A6: Yes, welcome to visit our factory at your convenient time.

Q7.How can I make OEM or ODM orders?

A7: We have different print processing for different OEM/ODM orders. Please contact us with online service or send email to us directly.

Q8. How should I pay for my orders?

A8: You can pay by T/T would be available for qualified bank and MOQ required for each order.

